

Model #

3527DUET

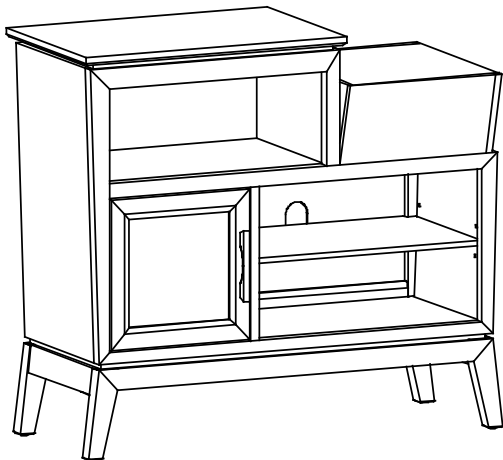
Addison 38"W

Vinyl Record

Station

DUET finish

Assembly Instructions



Thank you for allowing us to help you furnish your home. We are certain you will be delighted with your new furniture for many years to come.

IMPORTANT NOTES:

- Wood can be susceptible to changing color over time when exposed to strong sunlight. Use window shades, drapes or blinds to protect your furniture. To help the surface age evenly and avoid dark and light spots, periodically move items to expose the entire surface to an even amount of light so it may develop a uniform patina.
- For normal household use only. *Not* recommended for commercial use.
- Do not climb, sit or stand on this piece of furniture.
- Do not overload the drawers or shelves.
- Unload items before you move this unit.
- Before you begin your project, completely read the Assembly Instructions.
- This assembly requires two people.

WARNING

Children have died from furniture tipover. To reduce the risk of furniture tipover:

- ALWAYS install tipover restraint provided.
- NEVER allow children to stand, climb or hang on drawers, doors or shelves.
- NEVER open more than one drawer at a time.
- Place heaviest items in the lowest drawers.
- Refer to TV manufacturers User Guide for additional instructions to secure television.

Use of tipover restraints may only reduce, but not eliminate, the risk of tip over.

Attention: Attached to the bottom of or included with this unit is a tipping restraint kit. When you receive your furniture, be sure to find and install the tipping restraint as instructed in the kit. If you cannot locate the restraint, please contact us immediately for replacement.

Drilling, sawing, sanding or machining wood products can expose you to wood dust, a substance known to the state of California to cause cancer. Avoid inhaling wood dust or use a dust mask or other safeguards for personal protection.

For more information go to: www.p65warnings.ca.gov/wood

This product can expose you to chemicals, including formaldehyde, which are known to the State of California to cause cancer. For more information go to: www.p65warnings.ca.gov/furniture

DESIGN SUBJECT TO CHANGE WITHOUT NOTICE.

CUSTOMER SERVICE

If you ever have questions about your furniture, please do not hesitate to contact us. In the unlikely event you need a replacement part; we can make those parts available through an authorized Whittier Wood Furniture dealer. If you cannot order replacement parts through your dealer, please contact our customer service department.

Hours: Our friendly customer service staff can be reached:

Monday-Friday 8:00 a.m. to 5:00 p.m. (Pacific Time).

You may leave a message 24 hours a day, seven days a week.

Customer Service: 800-653-3336 • **Outside the U.S.:** 541-687-0213

Fax: 541-687-2060 • **Email:** info@whittierwood.com

Whittier
Wood
FURNITURE

P.O. Box 2827
Eugene, OR 97402 USA

Production Code:

VN

08/19

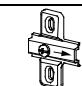
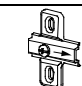
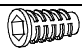


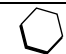
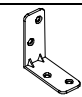



3527DUET Addison 38"W Vinyl Record Station

Parts List

Please identify the parts and check that quantities received match those on this list.
If you need to replace a part, refer to the following letter and part name.

Part	Description	Quantity
A	Top Assembly	1
B	Case	1
C	Adjustable Shelf (attached)	1
D	Door (attached)	1
E	Tray Assembly (attached)	1
F	Tray Bottom Assembly	1
G	Base (attached)	1
H	#6 x 1/2" Undercut Screw (inserted)	4
I	#6 x 3/4" P.O Screw (inserted)	8
J	#6 x 3/4" Brass Flat Head Screw (inserted)	20
K	#8 x 1-3/8" Lo-Profile Screw (inserted)	7
L	#8 x 1-1/4" Pan Head Screw (inserted)	25
M	#8 x 7/8" Black Lo-Profile Screw (inserted)	16
N	#8 x 1-3/4" Pan Head Screw (inserted)	12
O	#8 x 1-5/8" Black Screw (inserted)	12
P	#8 x 1-1/4" Machine Screw Tuscan (installed)	2
Q	Hinge (attached)	2

3527DUET Addison 38"W Vinyl Record Station
Parts List

Part	Description		Quantity
R	Hinge Plate (attached)		2
S	1/4" x 20mm Insert Nut (inserted)		4
T	5/32" x 10mm Insert Nut (inserted)		2
U	Black Walnut Pull (attached)		1
V	Hex Bumper (attached)		1
W	Front 4-Hole Bracket (attached)		2
X	Back 6-Hole Bracket (attached)		2
Y	Small Adjustable Glide (installed)		4
ZA	Shelf Bracket (installed)		4
TS	Media Tipping Restraint (attached)		1 set

3527DUET Addison 38"W Vinyl Record Station

Assembly Instructions

Tools Required: Phillips Screwdriver, Pencil.

1. Remove screws from the plywood supports and side aprons. Recycle or discard. See Figure 1.

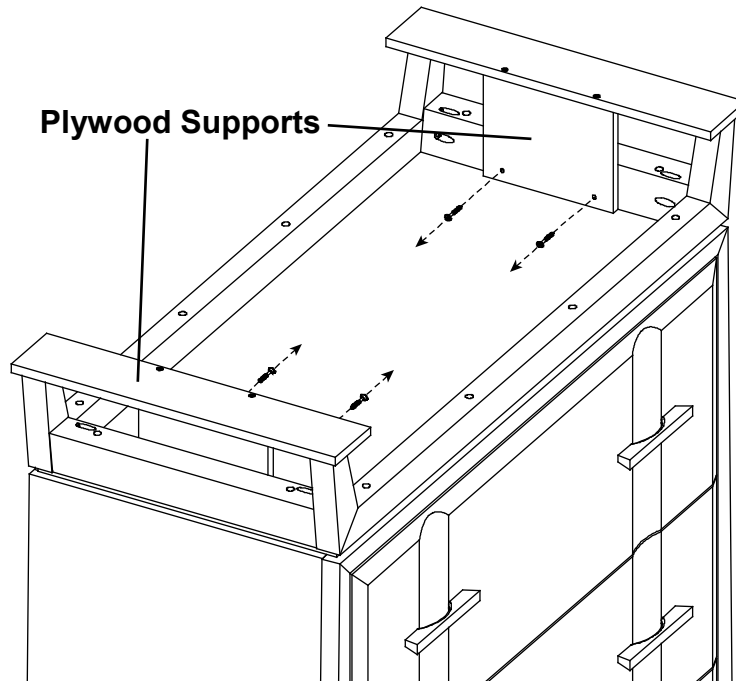


Fig. 1

2. Place the chest at its final destination. Rotate the Small Adjustable Glides (Y) on the bottoms of the legs until the unit is level. See Figure 2.

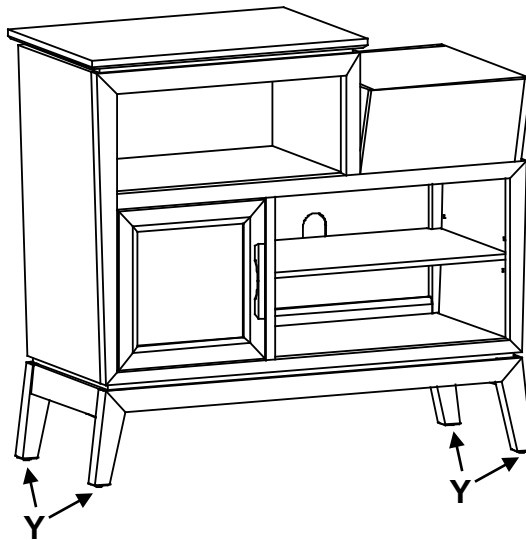
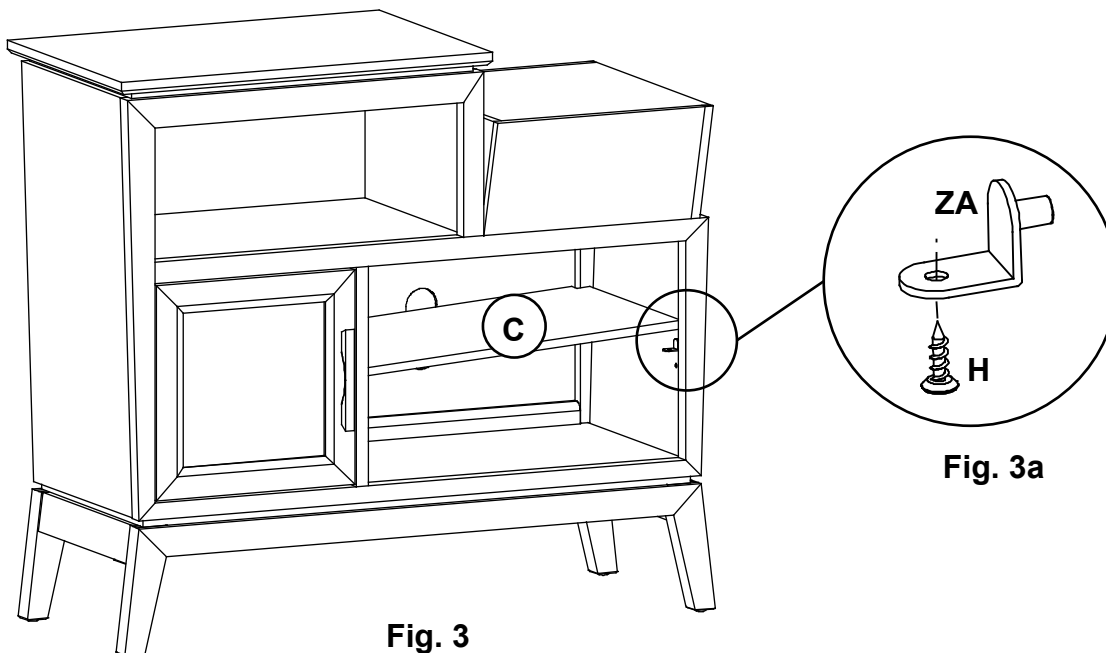


Fig. 2

3527DUET Addison 38"W Vinyl Record Station

Assembly Instructions

3. To move the Adjustable Shelf (C), remove the #6 x 1/2" Undercut Screws (H) and the Shelf (C). Reposition the Shelf Brackets (ZA) to the desired positions, replace the shelf and insert the screws. See Figures 3 and 3a.



4. The door may need to be adjusted so that all the spaces between the doors and unit sides are equal. To make those adjustments, follow the instructions in Figure 4.

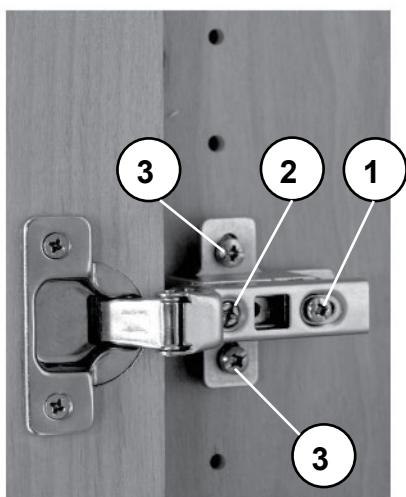


Fig. 4

Side adjustment

To move the door towards the side panel, rotate screw '2' counter-clockwise. To move it away, rotate screw '2' clockwise.

Depth Adjustment

Loosen screw '1' and adjust door. Re-tighten screw.

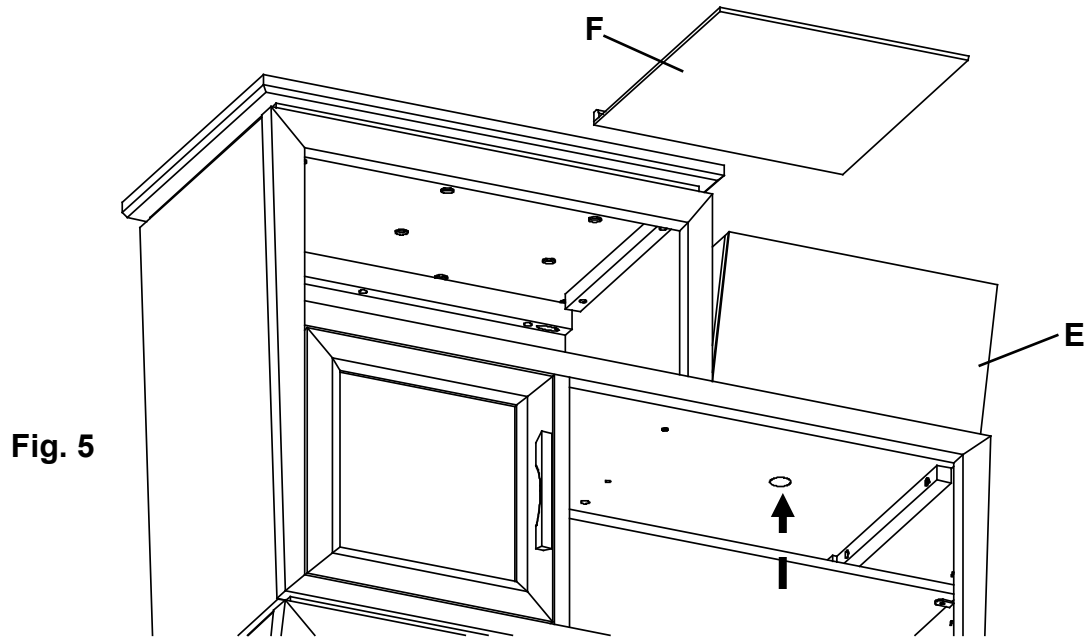
Height Adjustment

Loosen screws '3' and adjust door. Re-tighten screw.

If there is a problem with a Hinge (Q), do not attempt to remove it. Contact Customer Service first.

3527DUET Addison 38"W Vinyl Record Station Assembly Instructions

5. The Tray Bottom Assembly (F) is a removable insert for the Tray Assembly (E). See Figure 5. It serves two purposes; the lip at the back keeps the records at an angle and in case the Tray Assembly is damaged, it can be removed as shown by the arrows in Figure 5 to reveal the screws that attach the Tray Assembly (E) to the case. Install the Tray Bottom Assembly (F) before adding the records to the Tray.



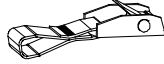
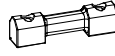


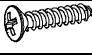

Media Furniture Tipping Restraint Instructions



Safety First! Anchor It!

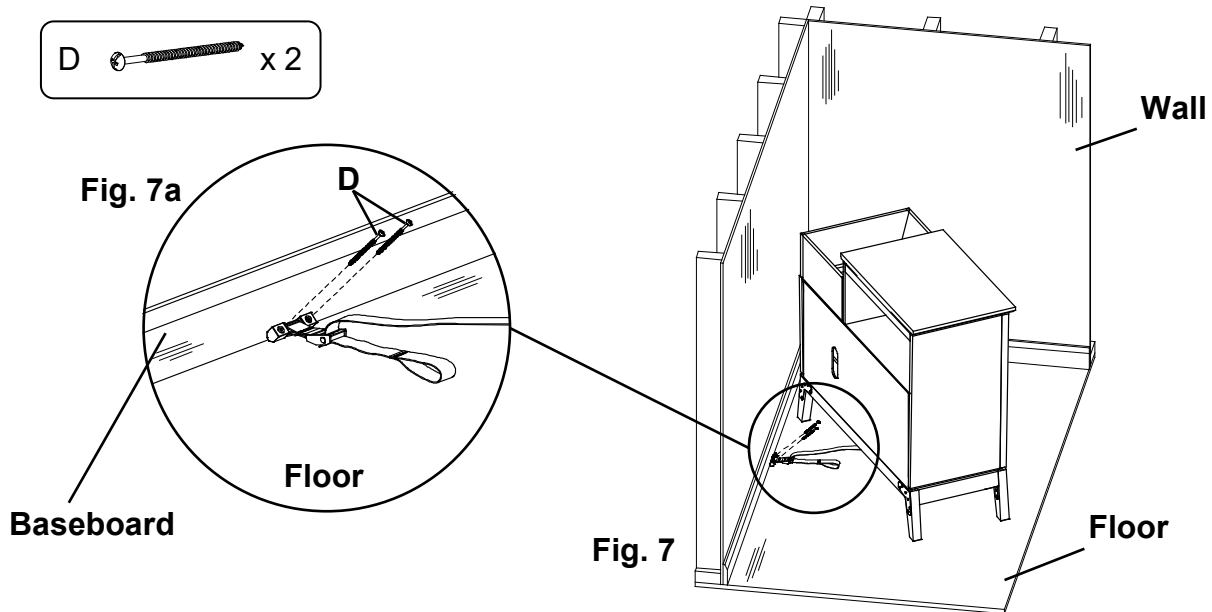


Before you begin this assembly, identify each part and make sure the quantities received match what is on this list. If you need to replace a part, contact Whittier Wood Furniture customer service and refer to the following list for its name and letter code.

Part	Description		Quantity
A	Cam Buckle and Short Strap (installed)		1
B	Plastic Bracket (installed)		1
C	1" x 1000mm Long Strap (installed)		1
D	#8 x 3" Pan Head Screw		2
E	#10 x 1" Oval Head Screw (inserted)		1
F	Washer		1

If you have a stone or tile floor or do not wish to drive screws into the corner of the baseboard and floor see the instruction included inside the tipping restraint kit for an alternate installation.

- Decide where you want to place the piece of furniture in your room. Mark the baseboard with a pencil mark directly behind the location where the tipping restraint is attached to your item. Move the item away from the wall far enough to allow you to access the spot where the baseboard meets the floor. Position the straps and Plastic Bracket (B) as shown in Figures 6 and 6a with the angled corners of the Plastic Bracket (B) firmly placed against the seam of the baseboard and floor. Attach by driving #8 x 3" Pan Head Screws (D) through the holes in the Plastic Bracket (B) into the seam below the baseboard where it meets the floor. See Figures 6 and 6a.



3527DUET Addison 38"W Vinyl Record Station

Assembly Instructions

7. Move the item back into position against the wall and reach underneath the piece of furniture to grasp the loop in the free end of the strap. Pull the free end of the strap until portion between the Cam Buckle (A) and the back apron of the item is tight. See Figures 7 and 7a. If you need to move the piece of furniture reach beneath and locate the buckle which connects the two sections of the strap and depress the release lever, then pull on the section of strap that is between the buckle and the back apron of the furniture until there is enough slack to allow you to pull the item away from the wall.

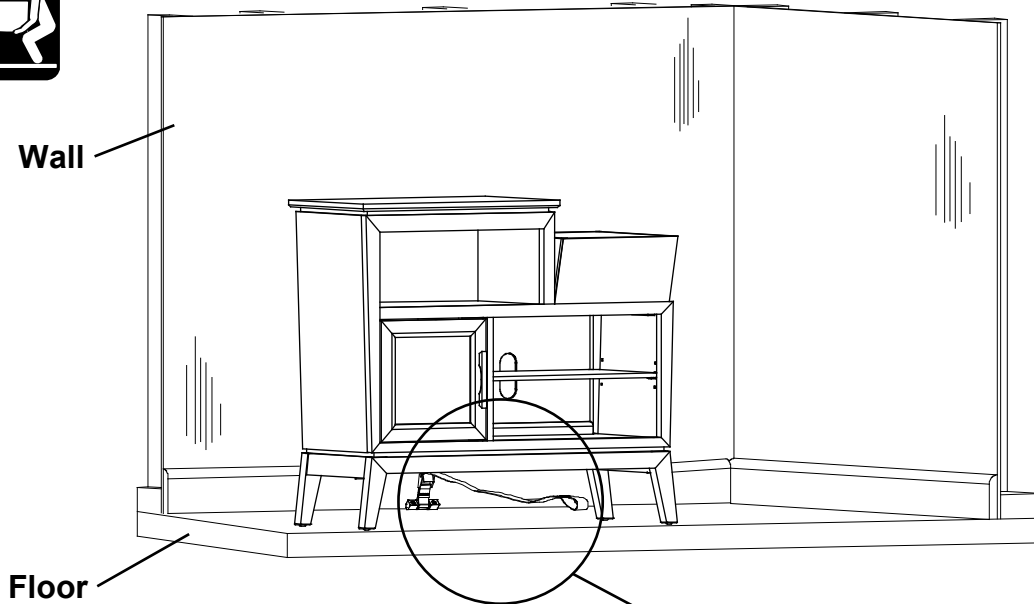


Fig. 7

Fig. 7a

