

# Catalina Sheepskin Beds

SAN finish

Assembly Instructions

Model #

**3336SAN**

**Catalina Queen Sheepskin Bed**

**3338SAN**

**Catalina King Sheepskin Bed**

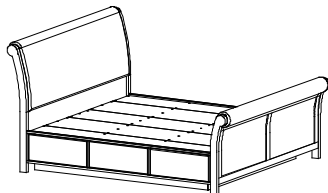


**3356SAN**

**Catalina Queen Sheepskin Storage Bed**

**3357SAN**

**Catalina King Sheepskin Storage Bed**



*Thank you for allowing us to help you furnish your home. We are certain you will be delighted with your new furniture for many years to come.*

## IMPORTANT NOTES:

- Furniture can be susceptible to changing color over time when exposed to strong sunlight. Use window shades, drapes or blinds to protect your furniture. To help the surface age evenly and avoid dark and light spots, periodically move items to expose the entire surface to an even amount of light so it may develop a uniform patina.
- For normal household use only. *Not* recommended for commercial use.
- Remove items before you move this unit.
- Do not overload the drawers.
- This assembly requires two people.

## ! WARNING

Drilling, sawing, sanding or machining wood products can expose you to wood dust, a substance known to the state of California to cause cancer. Avoid inhaling wood dust or use a dust mask or other safeguards for personal protection.

For more information go to: [www.p65warnings.ca.gov/wood](http://www.p65warnings.ca.gov/wood)

This product can expose you to chemicals, including formaldehyde, which are known to the State of California to cause cancer.

For more information go to: [www.p65warnings.ca.gov/furniture](http://www.p65warnings.ca.gov/furniture)

## Care and Maintenance:

- Avoid direct sunlight to reduce UV damage, fading and spotting.
- Dry vacuum with an upholstery attachment to remove dust and maintain fibers. Ensure the turbo and revolving brush setting is off.
- Brush with a wire pet brush to restore appearance.
- There are a number of cleaning treatments depending on the type of the stain (wet or dry). **BEFORE** using any of them make sure the stain has been contained by firmly blotting up any excess liquid spills and scraping up any solids.
- **Never** rub wet wool.

For detailed step-by-step information please refer to the website:

<https://fibrebyauskin.com/why-natural-fibre/easy-sheepskin-care>

<https://fibrebyauskin.com/resources/Woolskin-Stain-Cleaning-Guide-Letter.pdf>

**DESIGN SUBJECT TO CHANGE WITHOUT NOTICE.**

## CUSTOMER SERVICE

If you ever have questions about your furniture, please do not hesitate to contact us. In the unlikely event you need a replacement part; we can make those parts available through an authorized Whittier Wood Furniture dealer. If you cannot order replacement parts through your dealer, please contact our customer service department.

**Hours:** Our friendly customer service staff can be reached:

**Monday-Friday 8:00 a.m. to 5:00 p.m. (Pacific Time).**

You may leave a message 24 hours a day, seven days a week.

**Customer Service: 800-653-3336 • Outside the U.S.: 541-687-0213**

**Fax: 541-687-2060 • Email: [info@whittierwood.com](mailto:info@whittierwood.com)**

**Whittier  
Wood**  
FURNITURE

P.O. Box 2827  
Eugene, OR 97402 USA

Production Code:

VN

05/23

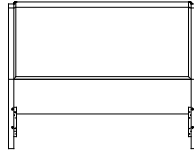
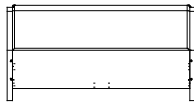


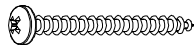

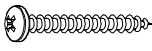

**3336SAN Catalina Queen Sheepskin Bed**  
**3338SAN Catalina King Sheepskin Bed**  
**3356SAN Catalina Queen Sheepskin Storage Bed**  
**3357SAN Catalina King Sheepskin Storage Bed**  
*Parts List*

---

Please note this Assembly Instruction is for Catalina Sheepskin Beds (#3336 Queen and #3338 King), and Catalina Sheepskin Storage Beds (#3356 Queen and #3357 King). The Parts Lists for each component follow.

Please identify the parts and check that quantities received match those on this list.  
 If you need to replace a part, refer to the following letter and part name.


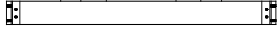

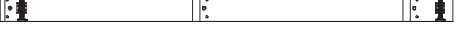



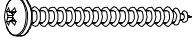





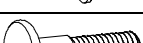





**3337SAN**  
**Catalina Queen Sheepskin Headboard/Footboard Kit (x1)**  
**3339SAN**  
**Catalina King Sheepskin Headboard/Footboard Kit (x1)**

Part	Description	Quantity	
		3337SAN	3339SAN
A	Headboard Assembly 	1	1
B	Footboard Assembly 	1	1
I	#6 x 1/2" Philtruss Screw (inserted) 	24	28
K	#8 x 1-1/4" Black Screw (inserted) 	30	30
T	#8 x 1-3/4" Pan Head Screw (inserted) 	6	6
Y	5/16" x 14mm Insert Nut (inserted) 	8	8
ZG	#8 x 1-1/4" Pan Head Screw (inserted) 	49	51
ZR	#10 x 2" Pan Head Screw (inserted) 	4	4

**3336SAN Catalina Queen Sheepskin Bed**  
**3338SAN Catalina King Sheepskin Bed**  
**3356SAN Catalina Queen Sheepskin Storage Bed**  
**3357SAN Catalina King Sheepskin Storage Bed**  
*Parts List*

---

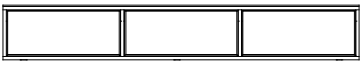
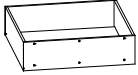





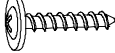
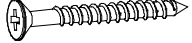

**3350SAN Queen Base Kit (x1)**  
**3352SAN King Base Kit (x1)**

Part	Description	Quantity	
		3350SAN	3352SAN
K	#8 x 1-1/4" Black Screw 	24	36
M	Mitered End Support 	1	1
N	Square End Support 	2	2
O	Left Support 	1	1
P	Right Support 	1	1
Q	Queen Trestle Rail (15-1/8") 	4	0
R	King Trestle Rail (31-1/8") 	0	4
T	#8 x 1-3/4" Pan Head Screw (inserted) 	12	12
U	#10 x 3/4" Pan Head Screw (inserted) 	16	16
V	1/4" Flat Washer 	16	16
W	5/16" x 2-1/4" Hex Bolt 	6	6
X	5/16" x 35mm Hex Bolt 	10	10
Y	5/16" x 14mm Insert Nut (inserted) 	18	18
ZA	5/16" x 38mm – 5mm Hex Bolt 	8	8
ZB	Wood Dowel (inserted) 	12	12
ZC	Foot Bracket (attached) 	4	4
ZD	Adjustable Glide (installed) 	4	4
ZE	Z Hex Wrench 5mm (included) 	1	1
ZF	Center Deckboard 	0	1

**3336SAN Catalina Queen Sheepskin Bed**  
**3338SAN Catalina King Sheepskin Bed**  
**3356SAN Catalina Queen Sheepskin Storage Bed**  
**3357SAN Catalina King Sheepskin Storage Bed**  
*Parts List*

---


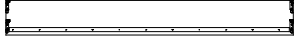
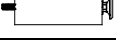
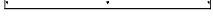
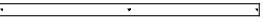


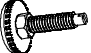


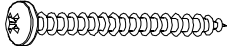





**3349SAN**  
**Queen/King Pedestal Kit (x2)**

Part	Description	Quantity
C	Pedestal 	1
D	Drawer Box (assembled) 	3
E	Drawer Face (attached) 	3
F	Left/Right Center Deckboard 	1
G	20" Drawer Slides (installed) 	3 sets
H	#6 x 3/4" Philtruss Screw (inserted) 	18
I	#6 x 1/2" Philtruss Screw (inserted) 	18
J	#8 x 7/8" Black Lo-Profile Screw (inserted) 	18
K	#8 x 1-1/4" Black Screw (inserted) 	8
L	#8 x 1-5/8" Black Screw (inserted) 	24

**3336SAN Catalina Queen Sheepskin Bed**  
**3338SAN Catalina King Sheepskin Bed**  
**3356SAN Catalina Queen Sheepskin Storage Bed**  
**3357SAN Catalina King Sheepskin Storage Bed**  
*Parts List*

---

**3329SANA Queen Panel Rail Kit (x1)**  
**3332SANA King Panel Rail Kit (x1)**

Part	Description	Quantity	
		3329SANA	3332SANA
K	#8 x 1-1/4" Black Screw 	10	10
ZH	Side Rail 	2	2
ZI	Assembled Foot 	4	4
ZJ	Queen Slat (60-5/8") 	5	0
ZK	King Slat (76-1/2") 	0	5
ZM	Footboard Support Assembly 	1	1
ZN	#8 x 5/8" Flat Head Screw (inserted) 	24	24
ZO	Adjustable Glide with Hex Nut (installed) 	4	4
ZP	#8 x 2" Black Screw (inserted) 	2	2
ZQ	#8 x 1" Black Screw 	24	24
ZR	#10 x 2" Pan Head Screw 	26 (22 inserted)	26 (22 inserted)
ZS	1/4" T-Nut (inserted) 	5	5
ZT	5/16" x 3/4" Insert Nut (inserted) 	4	4
ZU	1/4" x 45mm Hanger Bolt (inserted) 	4	4
ZV	Small Left Bed Bracket 	8 (4 inserted)	8 (4 inserted)
ZW	Small Right Bed Bracket 	8 (4 inserted)	8 (4 inserted)

**3336SANA Catalina Queen Sheepskin Bed  
 3338SANA Catalina King Sheepskin Bed  
 3356SAN Catalina Queen Sheepskin Storage Bed  
 3357SAN Catalina King Sheepskin Storage Bed**

*Assembly Instructions*

This assembly requires two people.

**Tool Included:** 5mm Z Hex wrench.

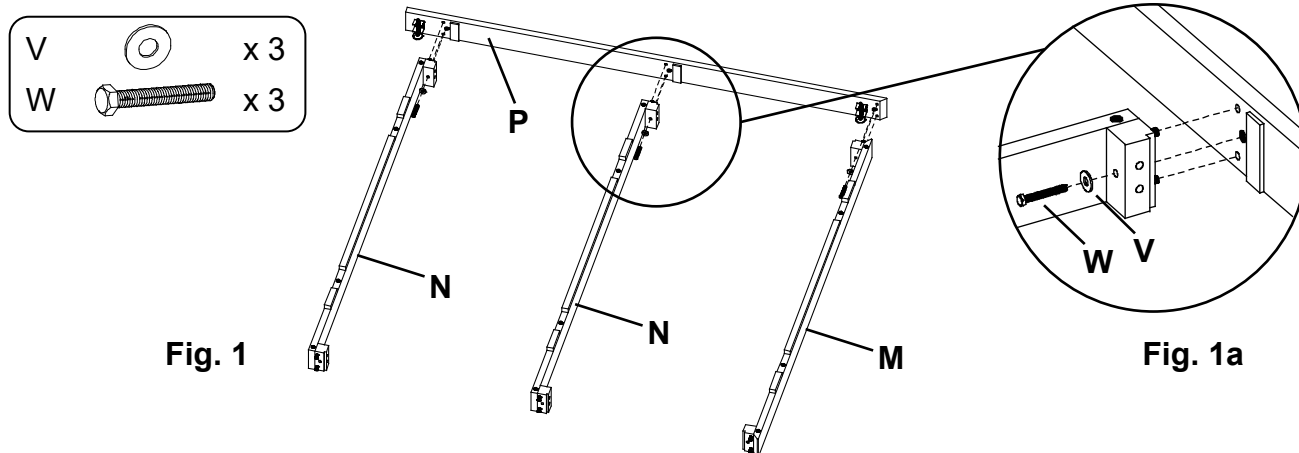
**Tools Required:** Phillips screwdriver, 1/2" open end or box end wrench.

**Notes:**

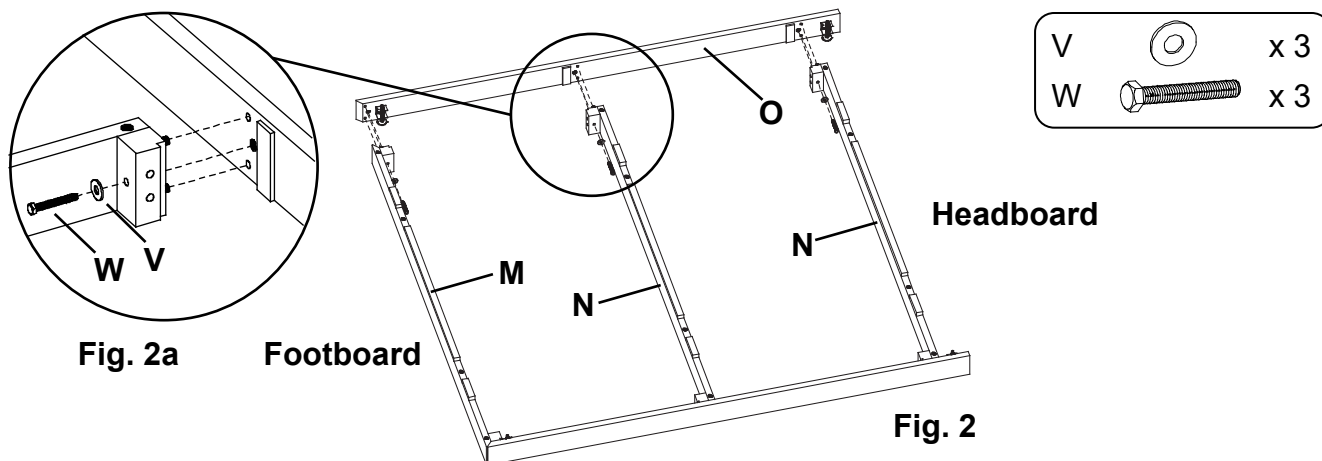
**Steps 1 through 11 are for the Catalina Queen Sheepskin Storage Bed (#3356) and Catalina King Sheepskin Storage Bed (#3357).**

**Steps 12 through 20 are for the Catalina Queen Sheepskin Bed (#3336) and Catalina King Sheepskin Bed (#3338).**

1. Lay out and identify the parts from the Queen (#3350) or King (#3352) Base Kit. Set aside part Trestle Rail (Q) (Queen) or Trestle Rail (R) (King) for use later in the assembly process. Use the notch and dowels on Square End Support (N) and Mitered End Support (M) as a guide attach to the Right Support (P) using the Hex Bolts (W) and Washers (V) from the Headboard/Footboard Kit. See Figures 1 and 1a.



2. Attach the assembly to the Left Support (O) Using Hex Bolts (W) and Washers (V). See Figures 2 and 2a. Identify the Headboard end of the assembly and place near the final bed location. See drawing below.

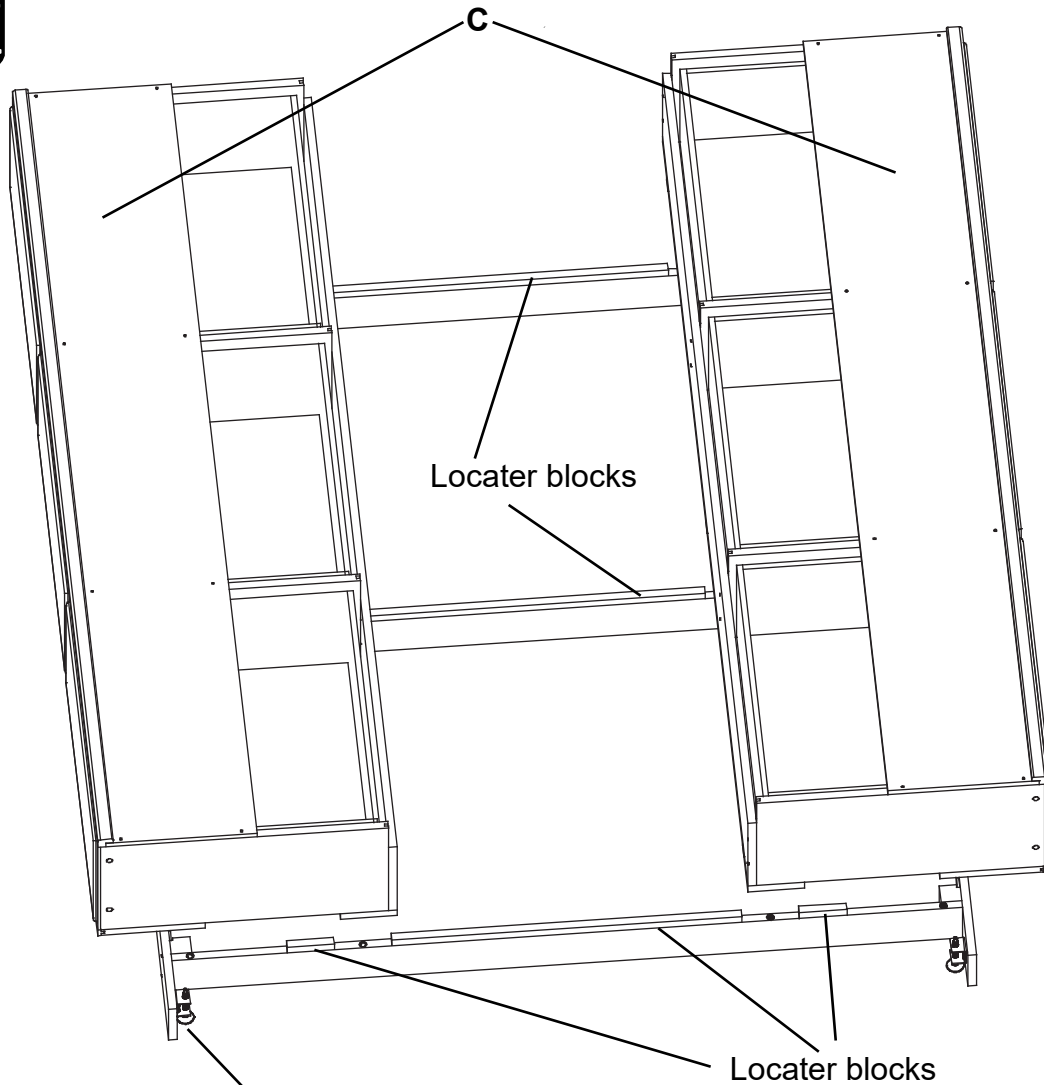


**3336SANA Catalina Queen Sheepskin Bed**  
**3338SANA Catalina King Sheepskin Bed**  
**3356SAN Catalina Queen Sheepskin Storage Bed**  
**3357SAN Catalina King Sheepskin Storage Bed**

*Assembly Instructions*

This assembly requires two people.

3. Place each pedestal (C) on top of the base kit against the side of and between the locator blocks of the Base Kit. See Figure 3.



**Fig. 3**

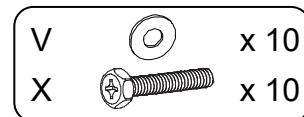
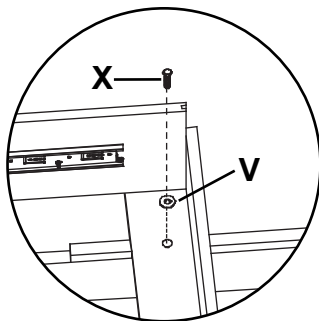
Headboard end of Base has leveler outside the crosspiece

**3336SANA Catalina Queen Sheepskin Bed**  
**3338SANA Catalina King Sheepskin Bed**  
**3356SAN Catalina Queen Sheepskin Storage Bed**  
**3357SAN Catalina King Sheepskin Storage Bed**

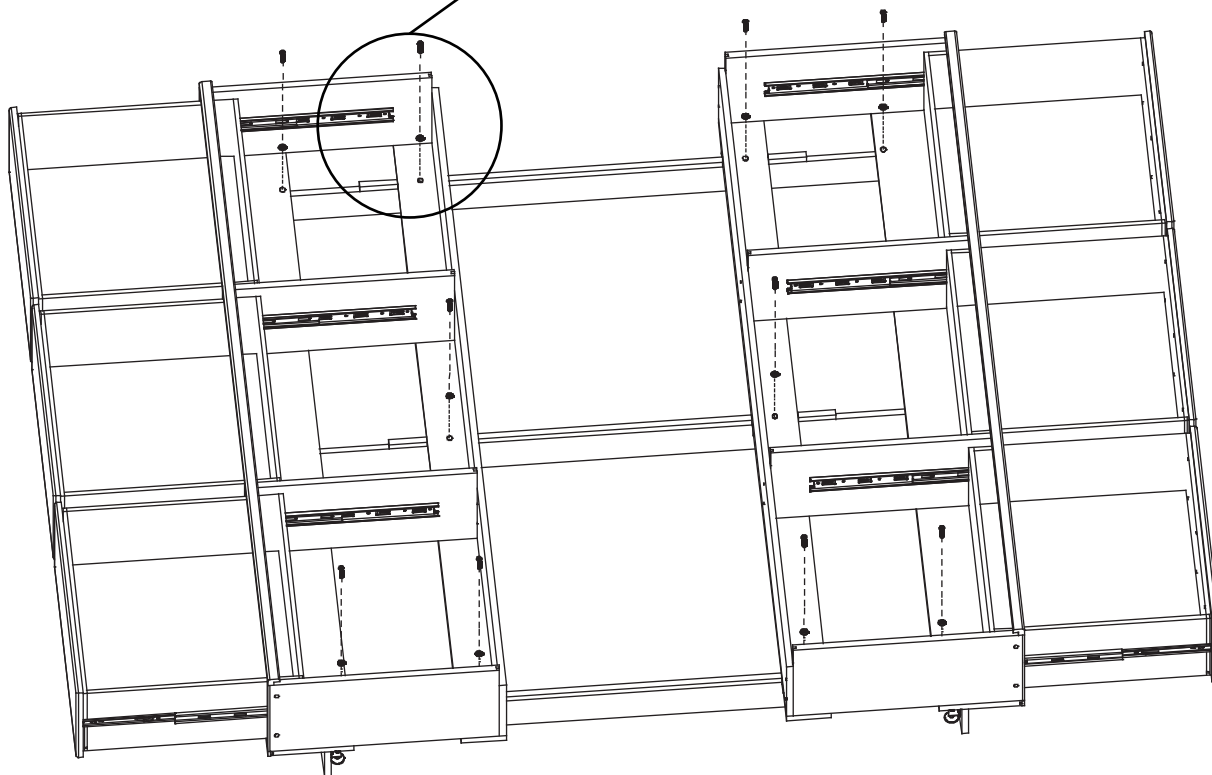
*Assembly Instructions*

This assembly requires two people.

4. Open the drawers and attach the pedestal to the base using Hex Bolts (X) and Washers (V) only finger tight. See Figures 4 and 4a.



**Fig. 4a**



**Fig. 4**

**(Notched Deckboards removed for illustration purposes)**



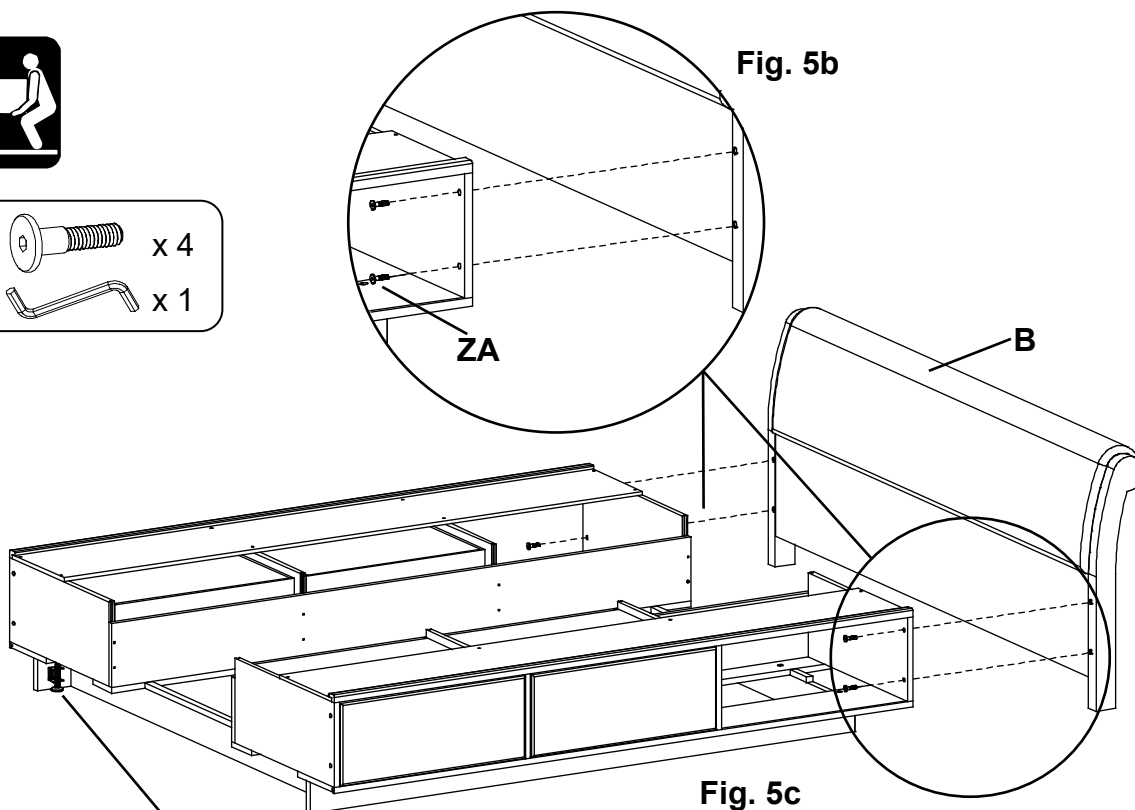
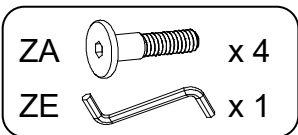
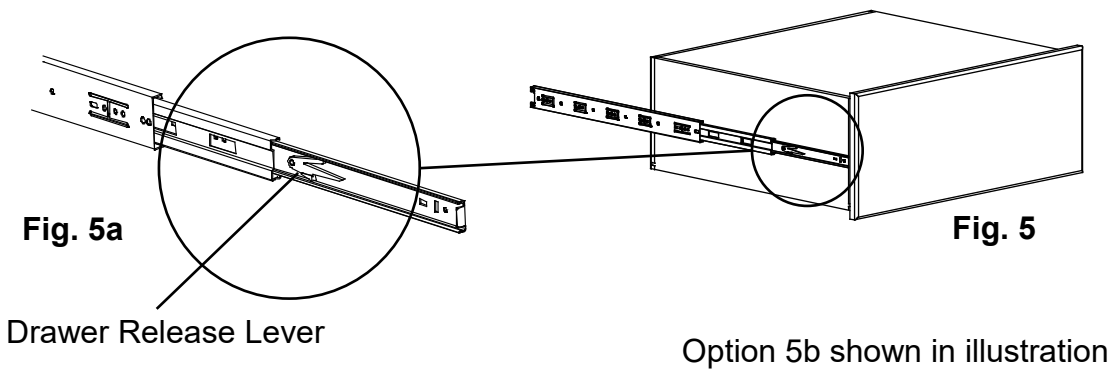
**3336SANA Catalina Queen Sheepskin Bed  
 3338SANA Catalina King Sheepskin Bed  
 3356SAN Catalina Queen Sheepskin Storage Bed  
 3357SAN Catalina King Sheepskin Storage Bed**

*Assembly Instructions*

This assembly requires two people.

5. NOTE: When attaching the Footboard (B) to the Pedestal/Base assembly attach it at the end of the Base with the leveler behind the crosspiece.

There are two options to attach the Footboard (B) to the Pedestal Assembly. Option a) Release the two drawers (D) at the end of the assembly as shown in Fig. 5a. Open the Drawers (D) until the back edge of the drawer is even with the front of the Pedestal. Reach under the attached deckboard from the backside of the pedestal and insert Bolts (ZA) into the Footboard (B). Push the drawers closed. Option b) remove the two end drawers (E) completely. Insert the bolts and washers into the Footboard and reinstall the drawers. See Fig. 5b, 5c.

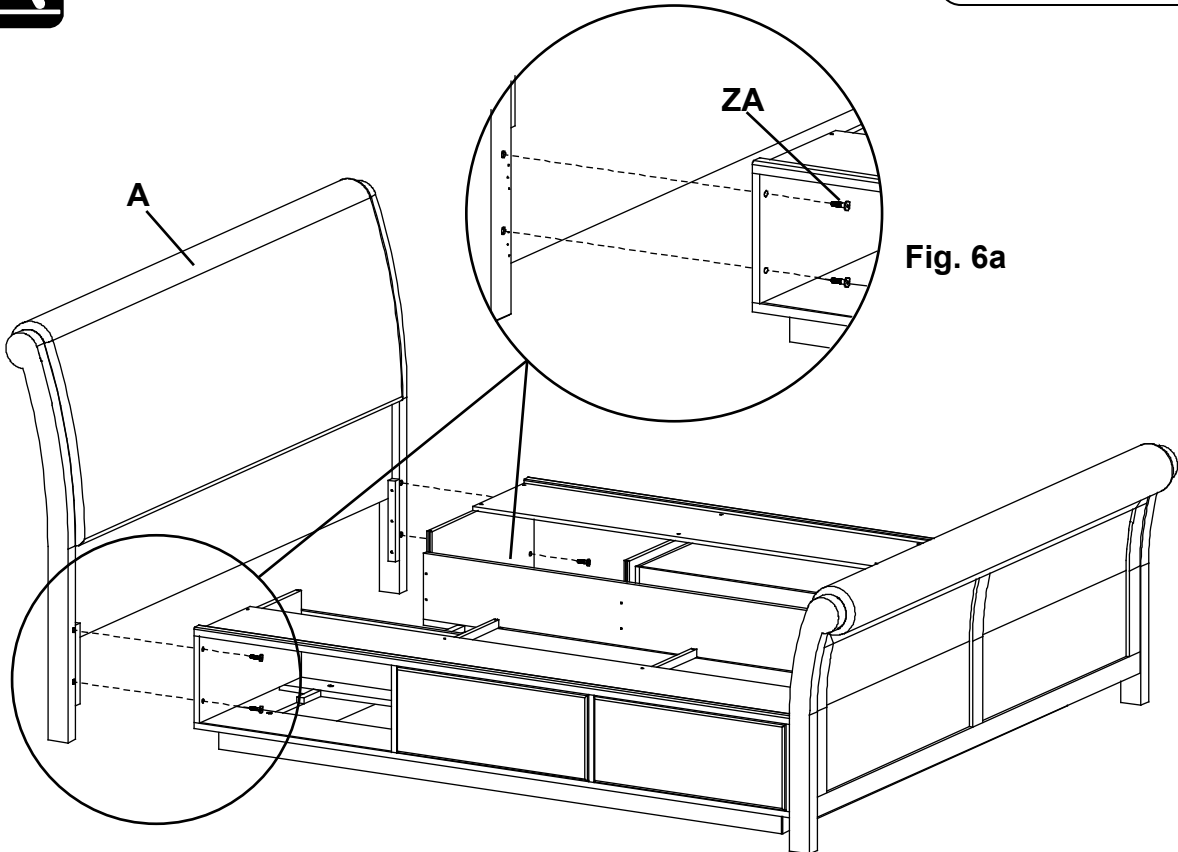
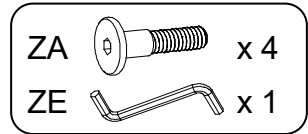


**3336SANA Catalina Queen Sheepskin Bed**  
**3338SANA Catalina King Sheepskin Bed**  
**3356SAN Catalina Queen Sheepskin Storage Bed**  
**3357SAN Catalina King Sheepskin Storage Bed**

*Assembly Instructions*

This assembly requires two people.

6. Attach the Headboard (A) with Hex Bolts (ZA) using assembly option a) or b) from Step 5. See Figures 6 and 6a.



**Fig. 6**

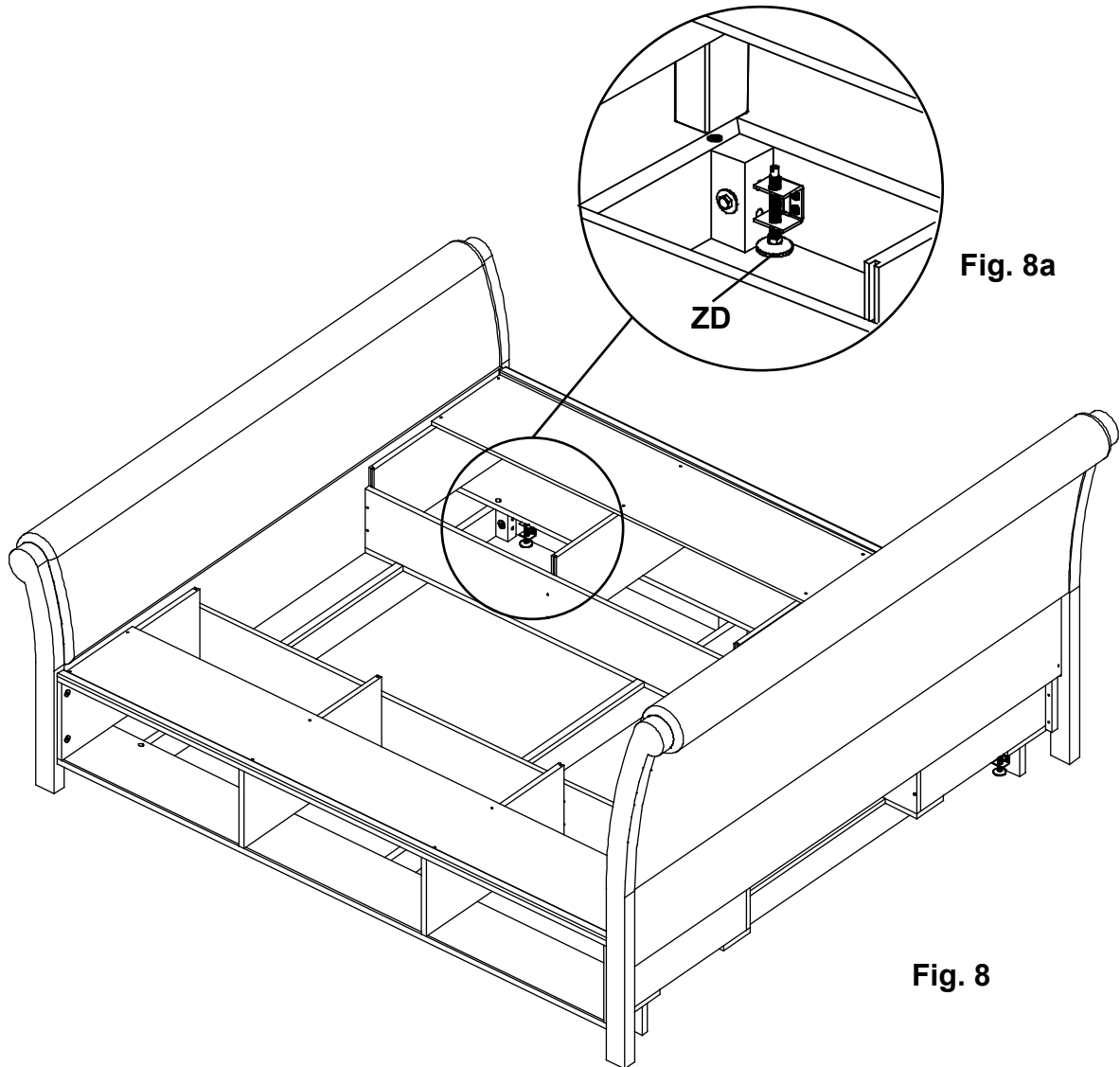
Option 5b shown in illustration

**3336SANA Catalina Queen Sheepskin Bed**  
**3338SANA Catalina King Sheepskin Bed**  
**3356SAN Catalina Queen Sheepskin Storage Bed**  
**3357SAN Catalina King Sheepskin Storage Bed**

*Assembly Instructions*

This assembly requires two people.

7. Once the Headboard and Footboard are attached, open all drawers and tighten Hex Bolts (ZA) on the inside of the bed assembly.
8. Adjust levelers (ZD) only if floor is uneven or if bed has movement . See Figures 8 and 8a.



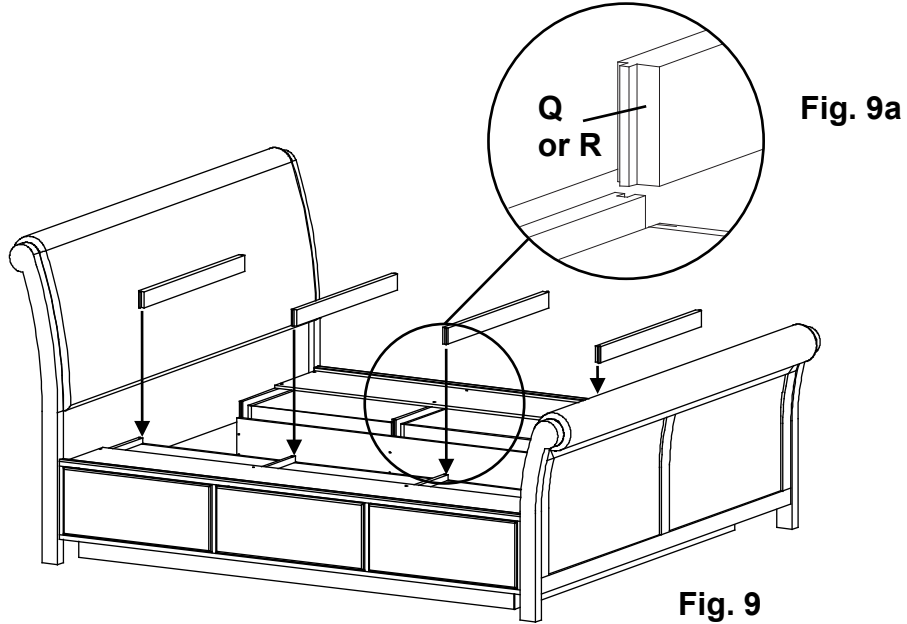
**(Drawers and Bottom Boards removed for illustration purposes)**

**3336SANA Catalina Queen Sheepskin Bed**  
**3338SANA Catalina King Sheepskin Bed**  
**3356SAN Catalina Queen Sheepskin Storage Bed**  
**3357SAN Catalina King Sheepskin Storage Bed**

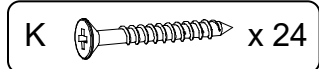
*Assembly Instructions*

This assembly requires two people.

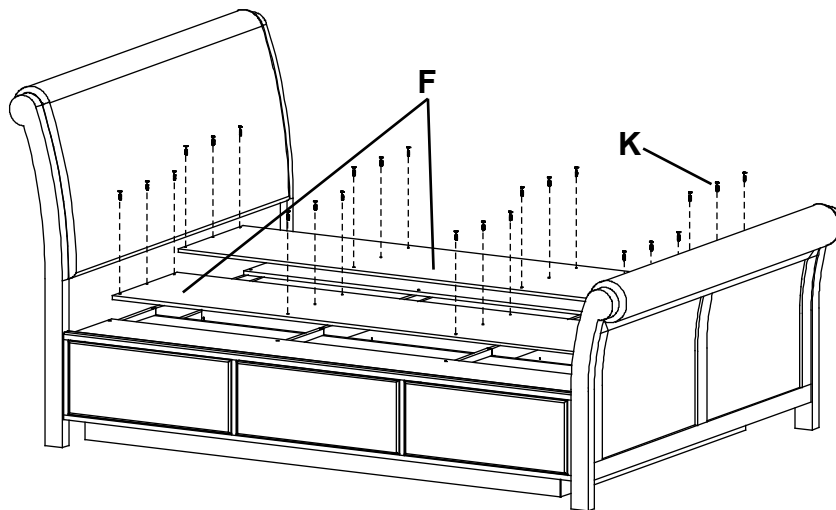
9. Insert Queen Trestle Rail Supports (Q) or King Trestle Rail Supports (R). See Figures 9 and 9a.



10. Place the Left/Right Center Deckboards (F) as shown in Figure 11 and secure with twelve #8x1-1/4" Black Screws (K). There should be a small gap between each deckboard. See Figure 10.



**Fig. 10**



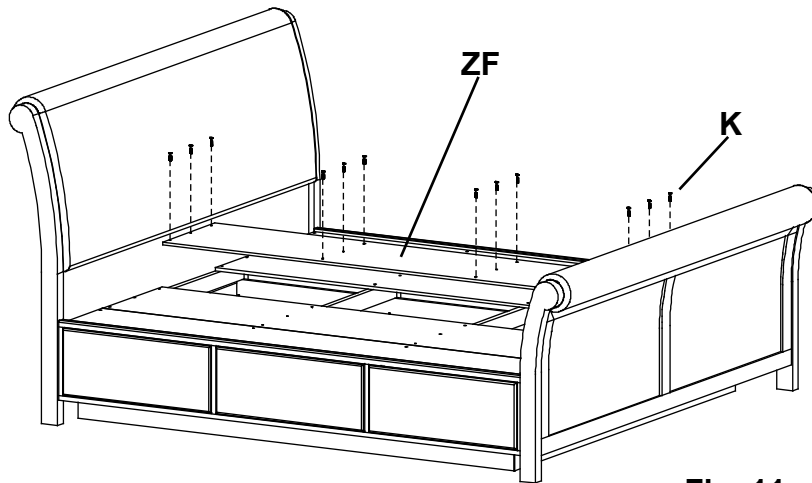
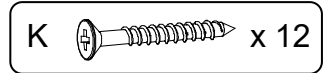
**3336SANA Catalina Queen Sheepskin Bed**  
**3338SANA Catalina King Sheepskin Bed**  
**3356SAN Catalina Queen Sheepskin Storage Bed**  
**3357SAN Catalina King Sheepskin Storage Bed**

*Assembly Instructions*

This assembly requires two people.

**Step 11 is for the Catalina King Upholstered Panel Storage Bed (#3351)**

11. Place the Center Deckboard (ZF) as shown in Figure 11 and secure with twelve #8 x 1-1/4" Black Screws (K). If you need to adjust the center feet, remove the Center Deckboard, adjust the glides and reattach the deckboard.



**Fig. 11**

**This concludes the assembly process for Catalina Poster Storage Bed, if you have purchased a Catalina Poster Bed please refer to the instructions beginning on page 14.**

**3336SANA Catalina Queen Sheepskin Bed  
 3338SANA Catalina King Sheepskin Bed  
 3356SAN Catalina Queen Sheepskin Storage Bed  
 3357SAN Catalina King Sheepskin Storage Bed**

*Assembly Instructions*

This assembly requires two people.

12. Align the Left Bed Brackets (ZV) over the pre-drilled holes in the Headboard (A). Brackets that mount to the Headboard always have the round tab pointing up. See Figure 12a. Attach using six #8x1" Black Screws (ZQ) with a Phillips Screwdriver or Drill. Do the same for the Right Bed Brackets (ZW) . See Figure 12 and 12b.

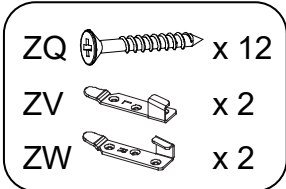
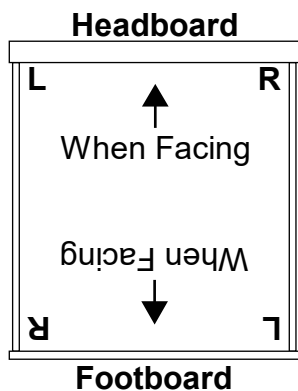


Fig. 12c

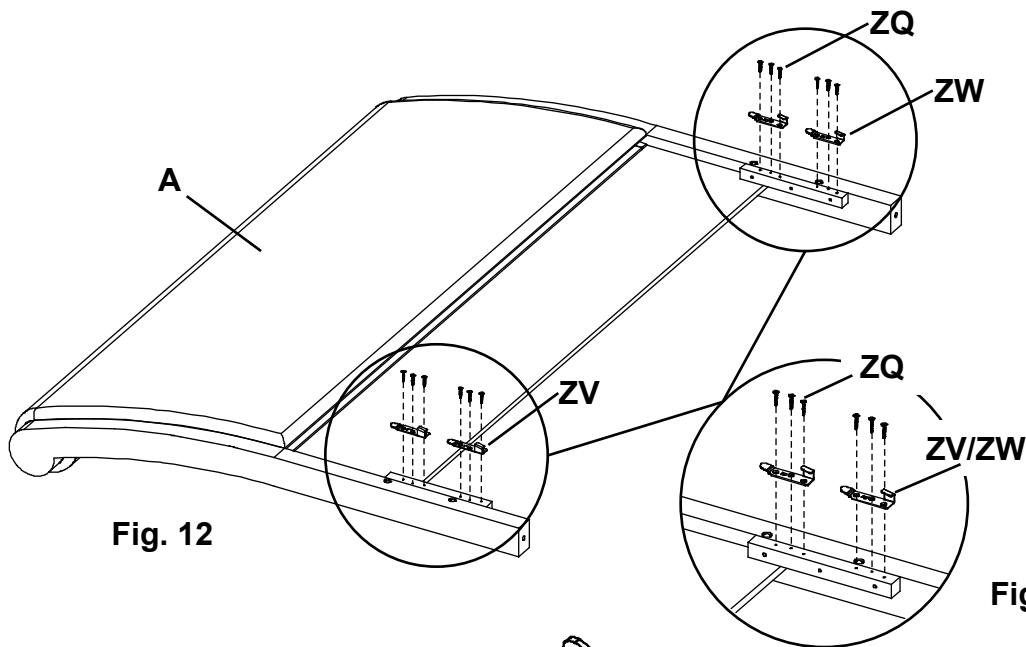


Fig. 12

Fig. 12b

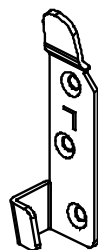


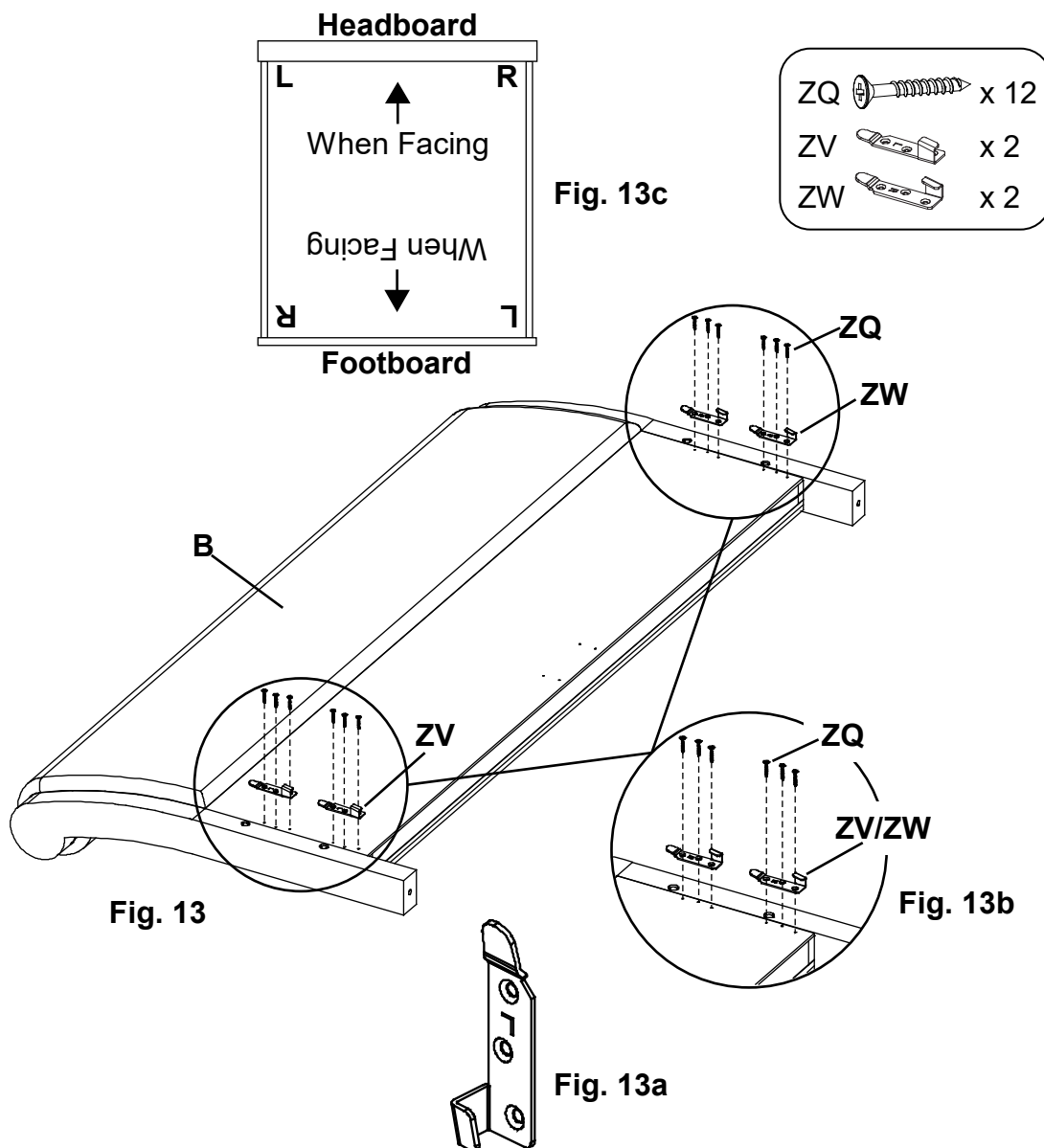
Fig. 12a

**3336SANA Catalina Queen Sheepskin Bed  
 3338SANA Catalina King Sheepskin Bed  
 3356SAN Catalina Queen Sheepskin Storage Bed  
 3357SAN Catalina King Sheepskin Storage Bed**

*Assembly Instructions*

This assembly requires two people.

13. Align the Left Bed Brackets (ZV) over the pre-drilled holes in the Footboard (B). Brackets that mount to the Headboard always have the round tab pointing up. See Figure 13a. Attach using six #8x1" Black Screws (ZQ) with a Phillips Screwdriver or Drill. Do the same for the Right Bed Brackets (ZW). See Figure 13 and 13b.

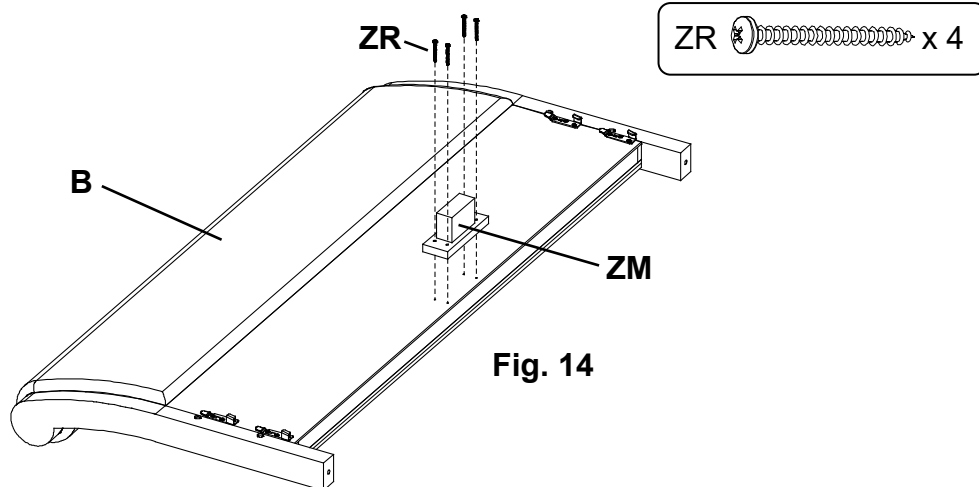


**3336SANA Catalina Queen Sheepskin Bed**  
**3338SANA Catalina King Sheepskin Bed**  
**3356SAN Catalina Queen Sheepskin Storage Bed**  
**3357SAN Catalina King Sheepskin Storage Bed**

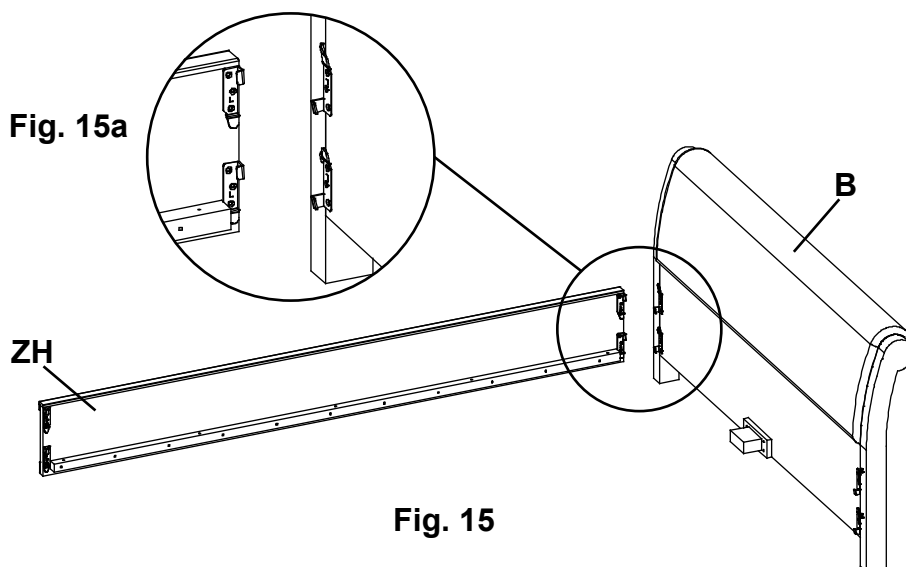
*Assembly Instructions*

This assembly requires two people.

14. Position the Footboard Support (ZM) over the block that is mounted onto the back side of the Footboard (B) and attach with four #10 x 2" Pan Head Screws (ZR) through the pre-drilled holes in the slat supports and into the location punches on the block. See Figure 14.



15. To attach the Footboard (B) to the Side Rail (ZH), align the Brackets and slide the Side Rail (ZH) down on to the Footboard (B). See Figures 15 and 15a.



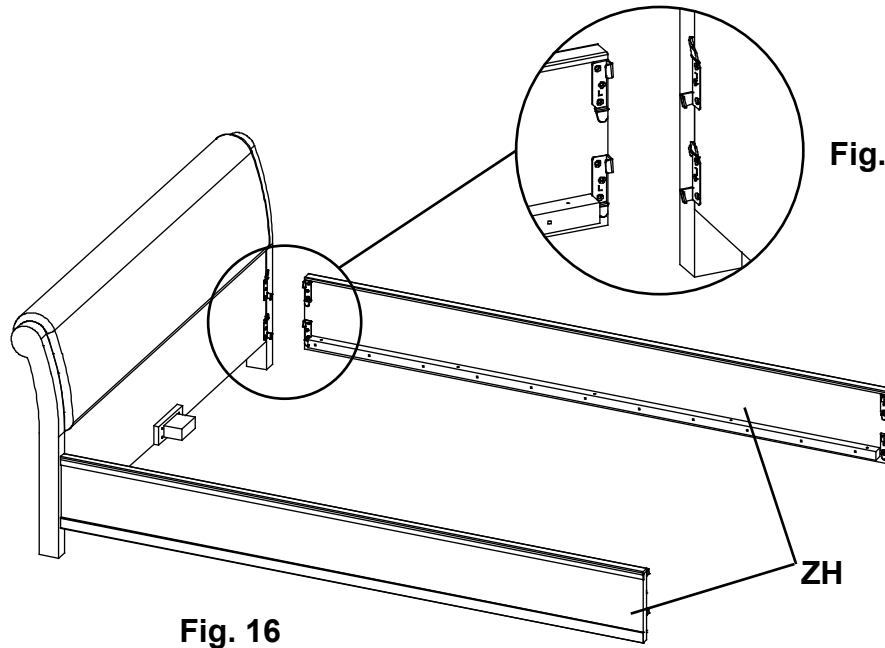


**3336SANA Catalina Queen Sheepskin Bed**  
**3338SANA Catalina King Sheepskin Bed**  
**3356SAN Catalina Queen Sheepskin Storage Bed**  
**3357SAN Catalina King Sheepskin Storage Bed**

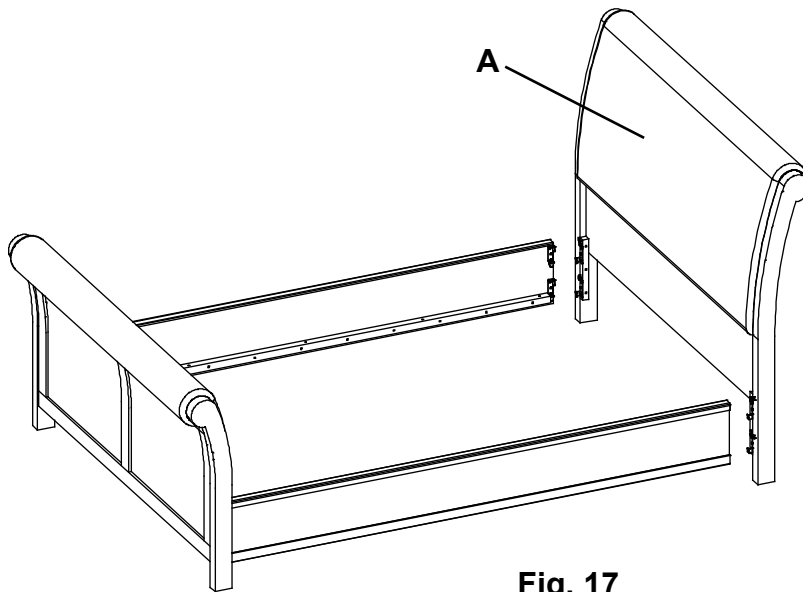
*Assembly Instructions*

This assembly requires two people.

16. Repeat step two for the other side. See Figures 16 and 16a.



17. Align the Brackets on both sides and slide the Side Rail/Footboard assembly down on to the Headboard (A). See Figure 17.

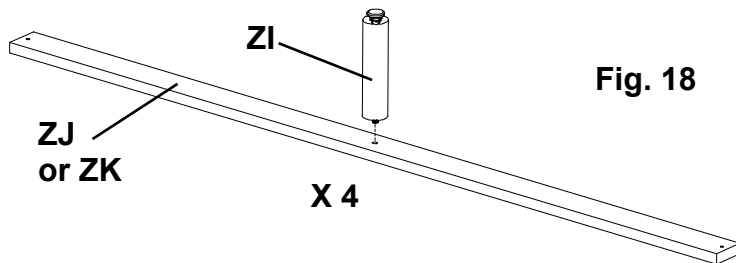


**3336SANA Catalina Queen Sheepskin Bed**  
**3338SANA Catalina King Sheepskin Bed**  
**3356SAN Catalina Queen Sheepskin Storage Bed**  
**3357SAN Catalina King Sheepskin Storage Bed**

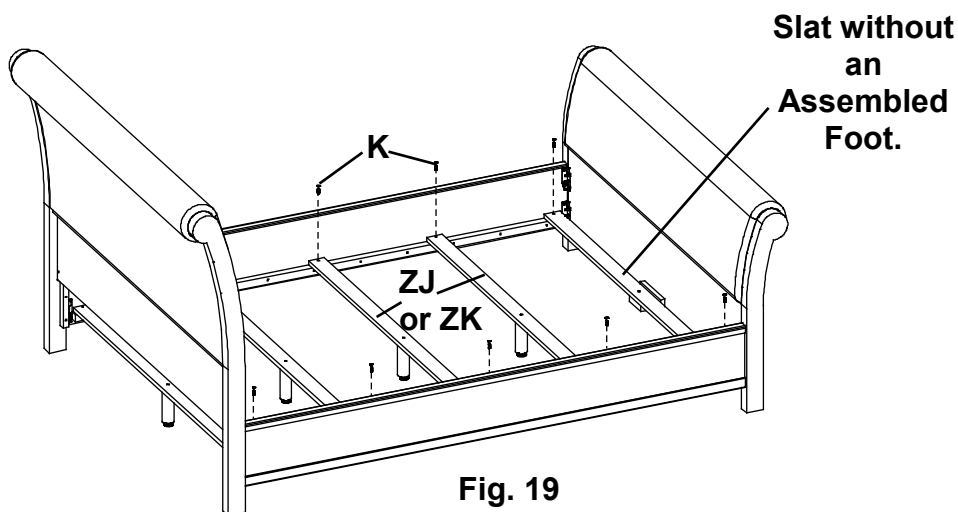
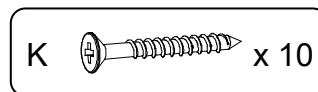
*Assembly Instructions*

This assembly requires two people.

18. Attach an Assembled Foot (ZI) to four of the five Slats (ZJ or ZK) as shown in Figure 18.



19. Move the bed assembly to its final position. Position the Slats (ZJ or ZK) on the bottom edges of the rails and place the slat without the Assembled Foot nearest to the Footboard. Attach with #8 x 1-1/4" Black Screws (K). See Figure 19.



20. Adjust the Adjustable Glides with Hex Nut (ZO) on the Assembled Feet (ZI) so the Glides (ZO) touch the floor, making sure the Assembled Feet bear weight.

