

Addison Panel Beds

DUET finish

Assembly Instructions

Model #

2006DUETb

Addison Full Panel Bed

2010DUETb

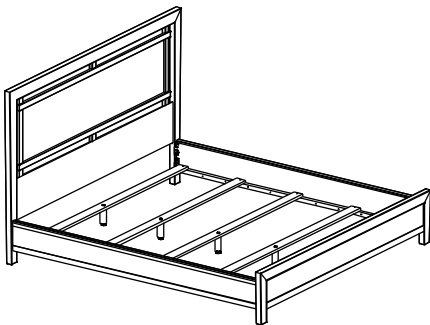
Addison Queen Panel Bed

2013DUETb

Addison King Panel Bed

2015DUETb

Addison Cal-King Panel Bed



Thank you for allowing us to help you furnish your home. We are certain you will be delighted with your new furniture for many years to come.

IMPORTANT NOTES:

- Wood can be susceptible to changing color over time when exposed to strong sunlight. Use window shades, drapes or blinds to protect your furniture. To help the surface age evenly and avoid dark and light spots, periodically move items to expose the entire surface to an even amount of light so it may develop a uniform patina.
- For normal household use only. *Not* recommended for commercial use.
- Remove items before you move this unit.
- This assembly requires two people.

WARNING

Drilling, sawing, sanding or machining wood products can expose you to wood dust, a substance known to the state of California to cause cancer. Avoid inhaling wood dust or use a dust mask or other safeguards for personal protection.

For more information go to: www.p65warnings.ca.gov/wood

This product can expose you to chemicals, including formaldehyde, which are known to the State of California to cause cancer.

For more information go to: www.p65warnings.ca.gov/furniture

DESIGN SUBJECT TO CHANGE WITHOUT NOTICE.

CUSTOMER SERVICE

If you ever have questions about your furniture, please do not hesitate to contact us. In the unlikely event you need a replacement part; we can make those parts available through an authorized Whittier Wood Furniture dealer. If you cannot order replacement parts through your dealer, please contact our customer service department.

Hours: Our friendly customer service staff can be reached:

Monday-Friday 8:00 a.m. to 5:00 p.m. (Pacific Time).

You may leave a message 24 hours a day, seven days a week.

Customer Service: 800-653-3336 • **Outside the U.S.:** 541-687-0213

Fax: 541-687-2060 • **Email:** info@whittierwood.com

**Whittier
Wood**
FURNITURE

P.O. Box 2827
Eugene, OR 97402 USA

Production Code:

VN

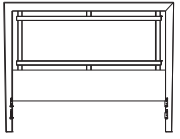

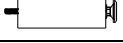




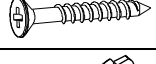

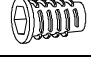

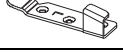
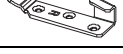
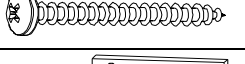
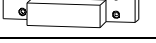

11/18

2006DUETb Addison Full Panel Bed
2010DUETb Addison Queen Panel Bed
2013DUETb Addison King Panel Bed
2015DUETb Addison Cal-King Panel Bed
Parts List

Please note this Assembly Instruction is for all four beds. Please identify the bed part number when ordering parts.

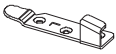

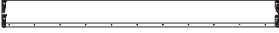

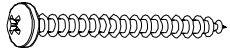
Please identify the parts and check that the quantities received match those on this list. If you need to replace a part, refer to the model number, part letter and name.

2007DUETb Full Panel Headboard/Footboard Kit (x1)
2011DUETb Queen Panel Headboard/Footboard Kit (x1)
2014DUETb King Panel Headboard/Footboard Kit (x1)
2016DUETb Cal-King Panel Headboard/Footboard Kit (x1)

Part	Description		Quantity
A	Headboard Assembly		1
Bb	Footboard Assembly		1
C	Assembled Foot		4
D	Slat		5
E	Adjustable Glide with Hex Nut (installed)		4
F	#8 x 7/8" Black Lo-Profile Screw (inserted)		9
G	#8 x 1-1/4" Black Screw		12 (2 inserted)
I	#8 x 1" Black Screw (inserted)		24
J	1/4" T-Nut (inserted)		5
K	5/16" x 3/4" Insert Nut (inserted)		4
L	1/4" x 45mm Hanger Bolt (inserted)		4
M	Small Left Bed Bracket (attached)		4
N	Small Right Bed Bracket (attached)		4
S	#10 x 2" Pan Head Screw (inserted)		5
T	Footboard Support Assembly (attached)		1
U	#8 x 2" Black Screw (inserted)		2

2006DUETb Addison Full Panel Bed
2010DUETb Addison Queen Panel Bed
2013DUETb Addison King Panel Bed
2015DUETb Addison Cal-King Panel Bed
Parts List

2008DUETa Full Panel Rail Kit (x1)
2012DUETa Queen/King Panel Rail Kit (x1)
2017DUETa Cal-King Panel Rail Kit (x1)

Part	Description	Quantity	
		2008DUETa	2012DUETa & 2017DUETa
M	Small Left Bed Bracket (attached) 	4	4
N	Small Right Bed Bracket (attached) 	4	4
Oa	Side Rail 	2	2
P	#8 x 5/8" Flat Head Screw (inserted) 	24	24
S	#10 x 2" Pan Head Screw (inserted) 	20	22

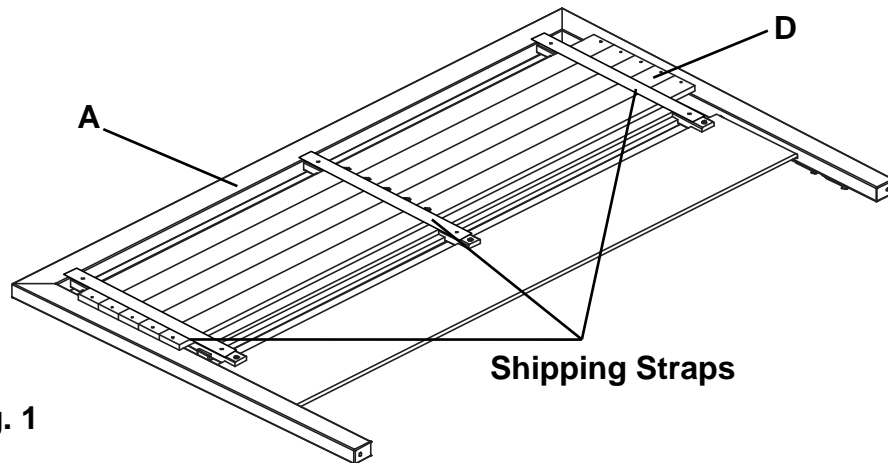
2006DUETb Addison Full Panel Bed
2010DUETb Addison Queen Panel Bed
2013DUETb Addison King Panel Bed
2015DUETb Addison Cal-King Panel Bed

Assembly Instructions

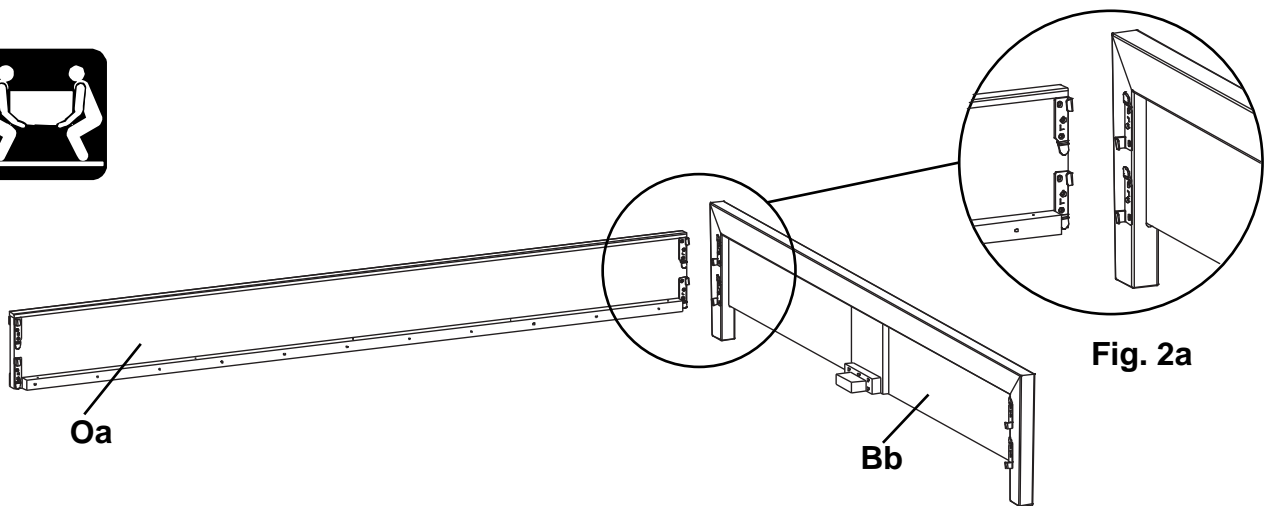
This assembly requires two people.

Tools Required: Phillips screwdriver

1. Remove the Slats (D) from the back of the Headboard (A) and place them off to the side. See Figure 1.



2. To attach the Footboard (Bb) to the Side Rail (Oa), align the Brackets and slide the Side Rail (Oa) down on to the Footboard (Bb). See Figures 2 and 2a.



2006DUETb Addison Full Panel Bed
2010DUETb Addison Queen Panel Bed
2013DUETb Addison King Panel Bed
2015DUETb Addison Cal-King Panel Bed

Assembly Instructions

This assembly requires two people.

3. Repeat step two for the other side. See Figures 3 and 3a.

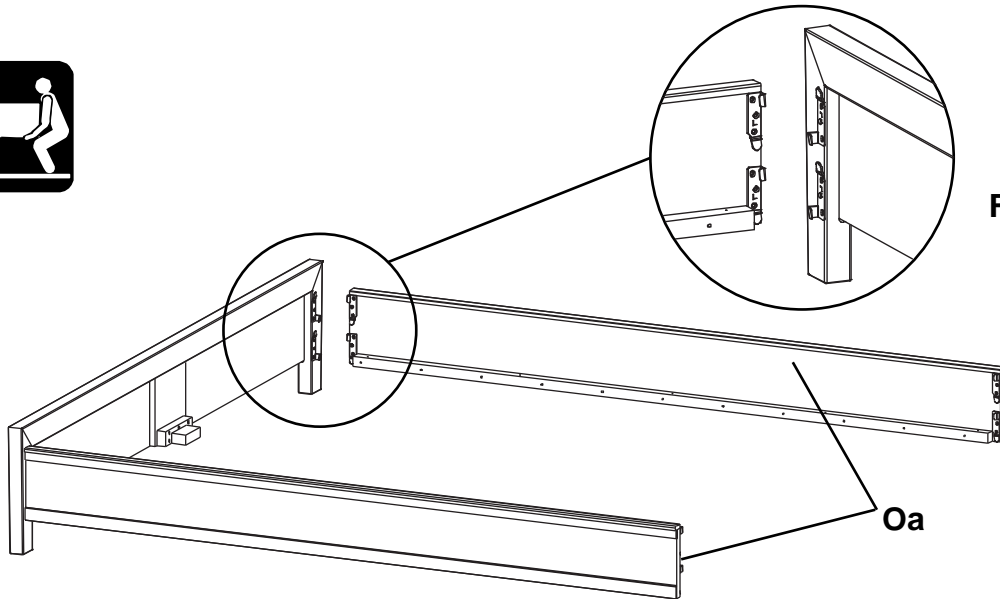


Fig. 3a

Fig. 3

4. Align the Brackets on both sides and slide the Side Rail/Footboard assembly down on to the Headboard (A). See Figure 4.

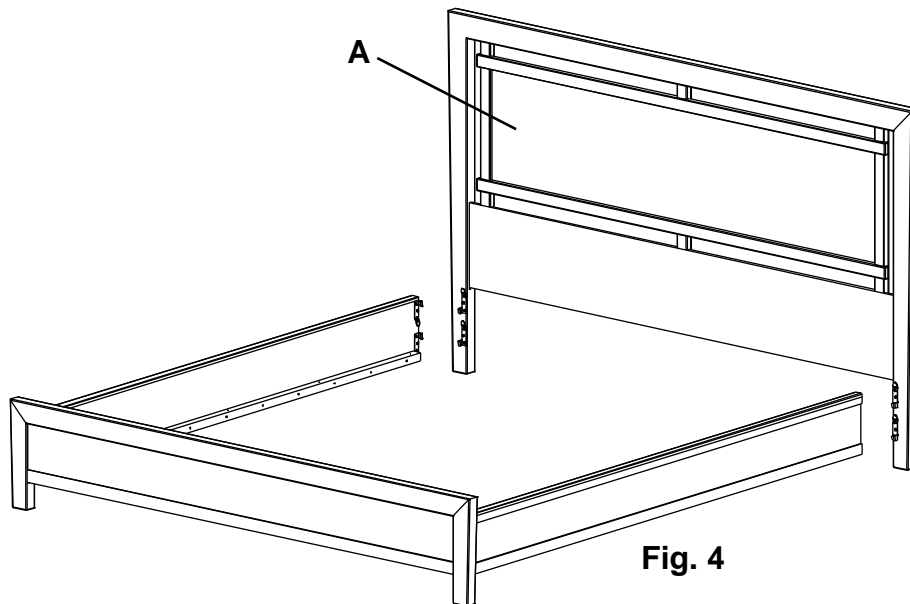


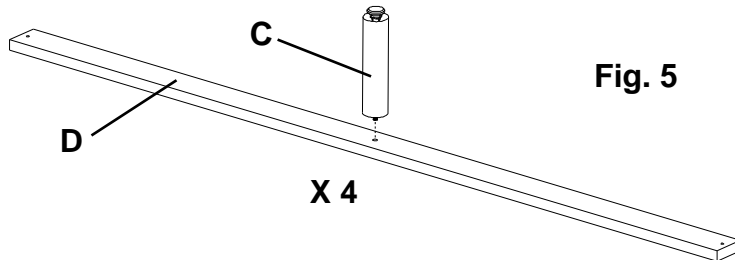
Fig. 4

**2006DUETb Addison Full Panel Bed
2010DUETb Addison Queen Panel Bed
2013DUETb Addison King Panel Bed
2015DUETb Addison Cal-King Panel Bed**

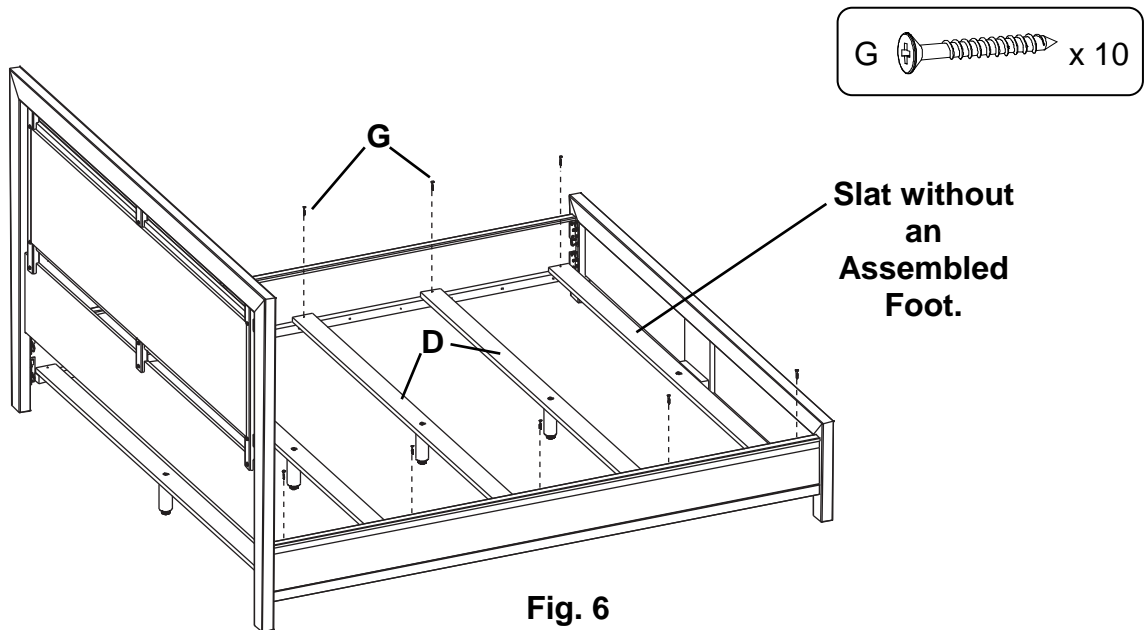
Assembly Instructions

This assembly requires two people.

5. Attach an Assembled Foot (C) to four of the five Slats (D) as shown in Figure 5.



6. Move the bed assembly to its final position. Position the Slats (D) on the bottom edges of the rails and place the slat without the Assembled Foot nearest to the Footboard. Attach with #8 x 1-1/4" Black Screws (G). See Figure 6.



7. Adjust the Adjustable Glides with Hex Nut (E) on the Assembled Feet (C) so the Glides (E) touch the floor, making sure the Assembled Feet bear weight.

