

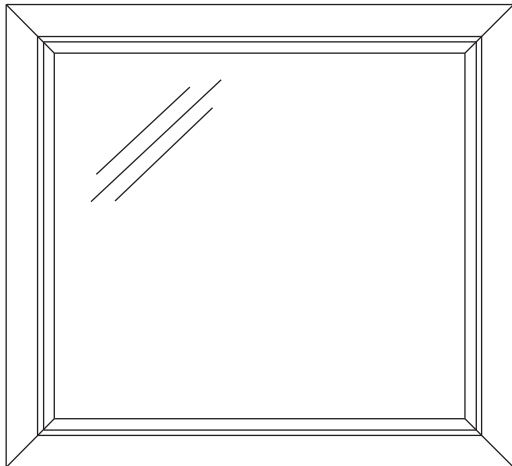
Model #

# 1670DUET

## Addison Beveled Mirror


DUET finish

Assembly Instructions



*Thank you for allowing us to help you furnish your home. We are certain you will be delighted with your new furniture for many years to come.*

### IMPORTANT NOTES:

- Wood can be susceptible to changing color over time when exposed to strong sunlight. Use window shades, drapes or blinds to protect your furniture. To help the surface age evenly and avoid dark and light spots, periodically move items to expose the entire surface to an even amount of light so it may develop a uniform patina.
- For normal household use only. *Not* recommended for commercial use.
-  Handle the mirror with care. Glass is fragile.
- Before you begin your project, completely read the Assembly Instructions.

### WARNING

Drilling, sawing, sanding or machining wood products can expose you to wood dust, a substance known to the state of California to cause cancer. Avoid inhaling wood dust or use a dust mask or other safeguards for personal protection.

For more information go to: [www.p65warnings.ca.gov/wood](http://www.p65warnings.ca.gov/wood)

This product can expose you to chemicals, including formaldehyde, which are known to the State of California to cause cancer.

For more information go to: [www.p65warnings.ca.gov/furniture](http://www.p65warnings.ca.gov/furniture)

**DESIGN SUBJECT TO CHANGE WITHOUT NOTICE.**

### CUSTOMER SERVICE

If you ever have questions about your furniture, please do not hesitate to contact us. In the unlikely event you need a replacement part; we can make those parts available through an authorized Whittier Wood Furniture dealer. If you cannot order replacement parts through your dealer, please contact our customer service department.

**Hours:** Our friendly customer service staff can be reached:

**Monday-Friday 8:00 a.m. to 5:00 p.m. (Pacific Time).**

You may leave a message 24 hours a day, seven days a week.

**Customer Service:** 800-653-3336 • **Outside the U.S.:** 541-687-0213

**Fax:** 541-687-2060 • **Email:** [info@whittierwood.com](mailto:info@whittierwood.com)

**Whittier  
Wood**  
FURNITURE

P.O. Box 2827  
Eugene, OR 97402 USA

Production Code:

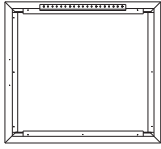
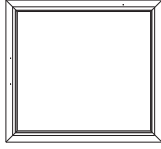
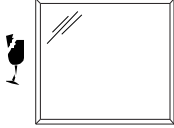
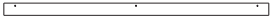


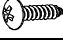
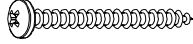



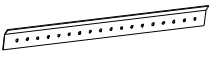
VN

08/18

# 1670DUET Addison Beveled Mirror

## Parts List

Please identify the parts and check that quantities received match those on this list.  
If you need to replace a part, refer to the following letter and part name.

Part	Description	Quantity
A	Mirror Assembly 	1
B	Mirror Frame 	1
C	Mirror (attached) 	1
D	Mirror Retainer (attached) 	4
E	Mirror Support 	2
F	#6 x 3/4" Brass Flat Head Screw (inserted) 	4
G	#6 x 5/8" Philtruss Screw (inserted) 	12
H	#8 x 1-3/4" Pan Head Screw 	2
I	#7 x 1-1/2" Black Pan Head Screw 	4
J	M4 x 41mm Machine Screw 	4
K	Velvet Pad 50 x 50mm 	3
L	Mirror Wall Bracket 	2 (1 attached)

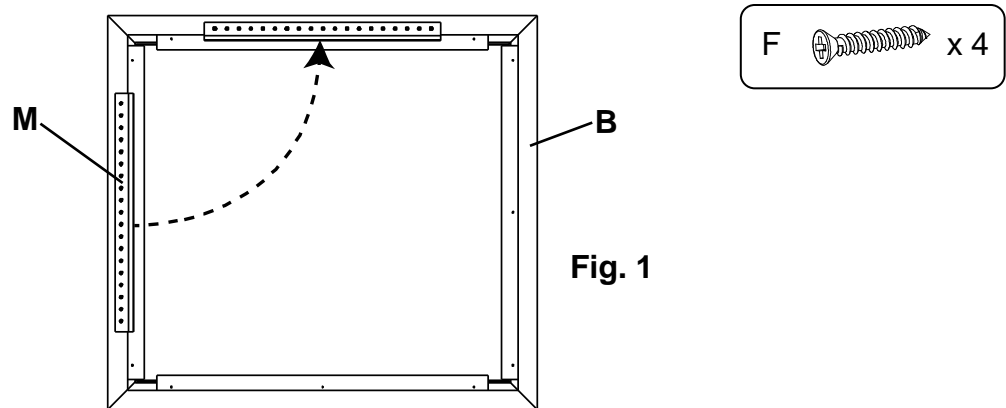
# 1670DUET Addison Beveled Mirror

## Assembly Instructions

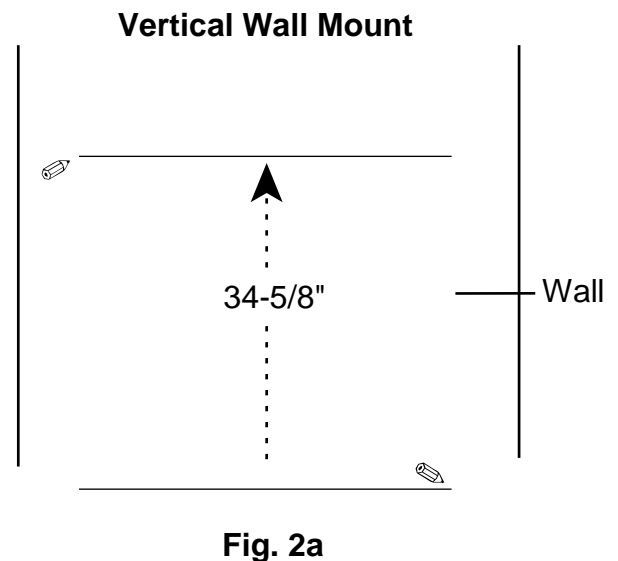
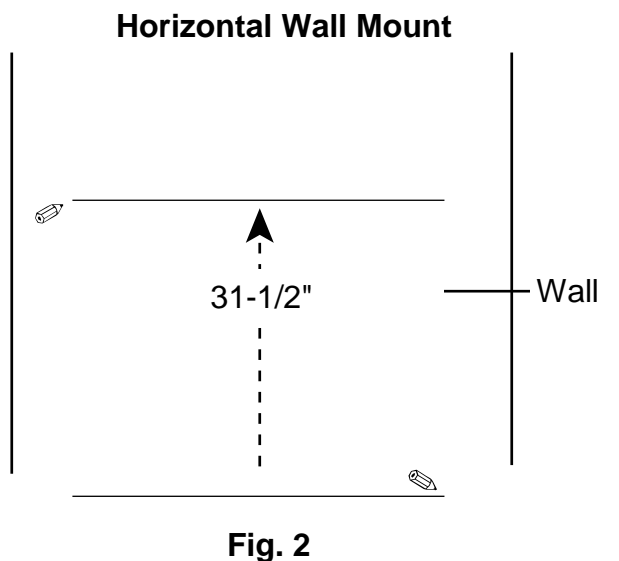
**Tools Required:** Phillips Screwdriver, Tape Measure, Pencil

You have the option of attaching your Mirror to the wall or to selected Addison Dressers. To attach your Mirror to the wall, follow steps 1 – 4. To attach the Mirror horizontally to a compatible Addison Dresser, follow steps 5 – 9.

1. Decide if you want your Mirror to hang either vertically or horizontally. If you want it to hang vertically, remove the Mirror Wall Bracket (L) and line it up to the predrilled holes on the short side of the Mirror Frame (B) as in Figure 1. Attach with four #6 x 3/4" Flat Head Screws (F).



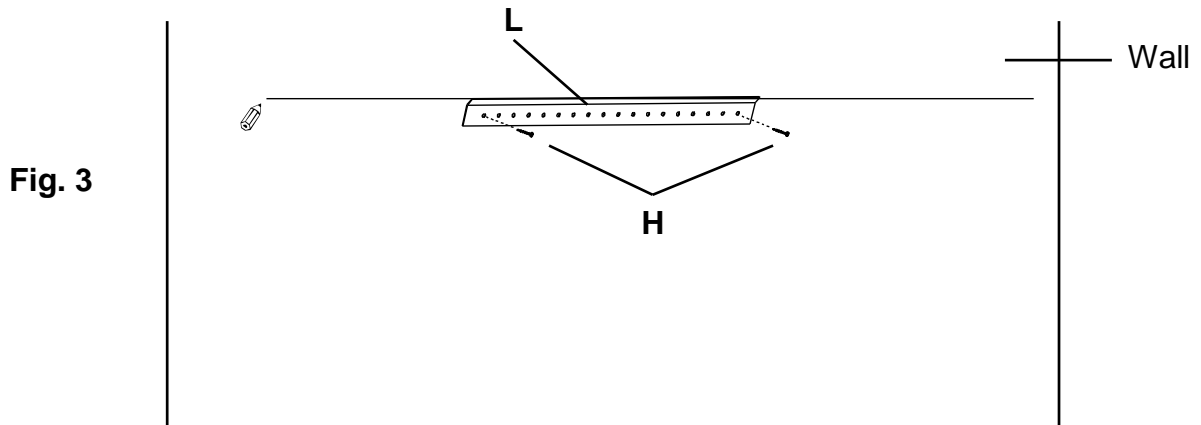
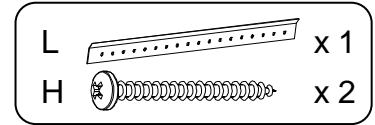
2. Determine where you want the bottom of your mirror to end and draw a faint pencil line on the wall. For a vertical placement, use a tape measure and measure up 34-5/8" from that mark. Draw a faint line. For a horizontal placement, measure up 31-1/2". Draw a faint line. The top line is where you attach the Mirror Wall Bracket (L). If you like, you can erase the faint bottom pencil mark. See Figures 2 and 2a.



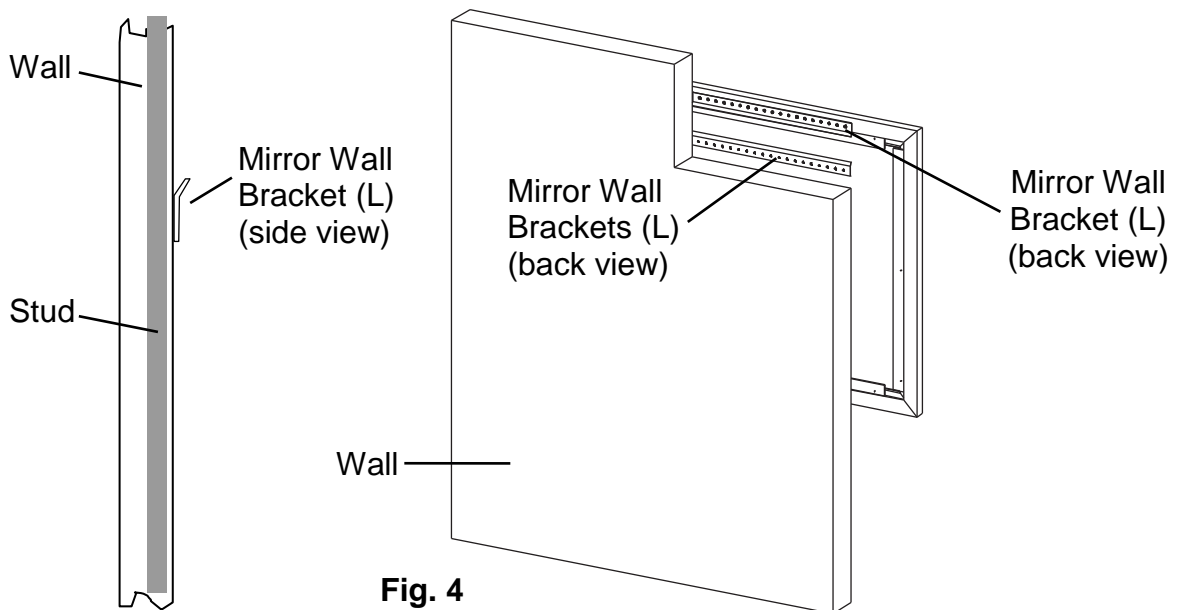
# 1670DUET Addison Beveled Mirror

## Assembly Instructions

3. Locate two studs in the wall behind the space where you want to hang your Mirror. Affix the Mirror Wall Bracket (L) into the studs with two #8 x 1-3/4" Pan Head Screws (H). If you cannot locate two studs, purchase the proper wall attachment hardware for your type of wall and secure the bracket. See Figure 3.



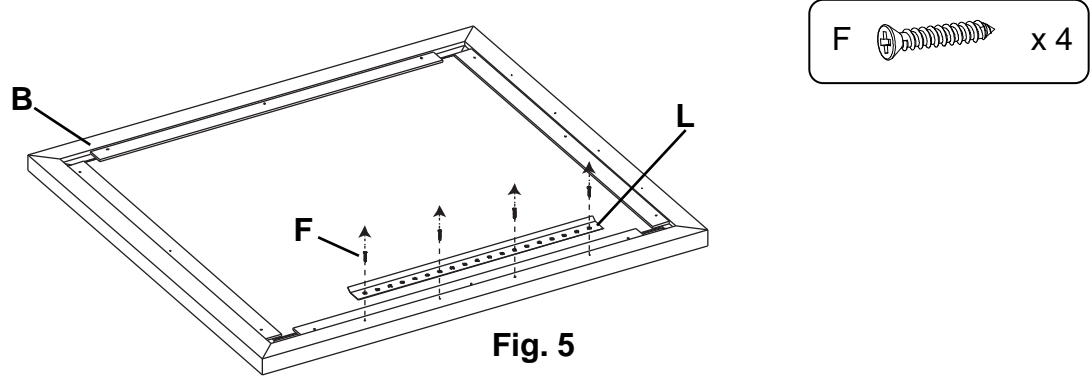
4. NOTE: The Mirror Wall Bracket (L) angles out at the top. When you hang your Mirror, the bracket that is attached to the back of the Mirror fits over the angled part of the Mirror Wall Bracket (L). See Figure 4.



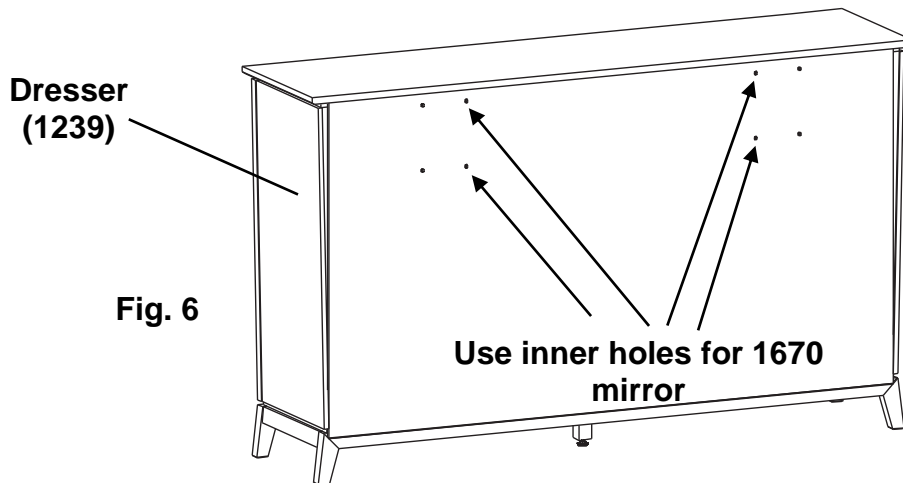
# 1670DUET Addison Beveled Mirror

## Assembly Instructions

5. To attach the Mirror to an Addison Dresser, remove the Mirror Wall Bracket (L) that is attached to the Mirror Frame (B) as shown in Figure 5. Keep these Mirror Wall Brackets (L) and the four #6 x 3/4" Flat Head Screws (F) if in the future, you will want to mount the Mirror to the wall.



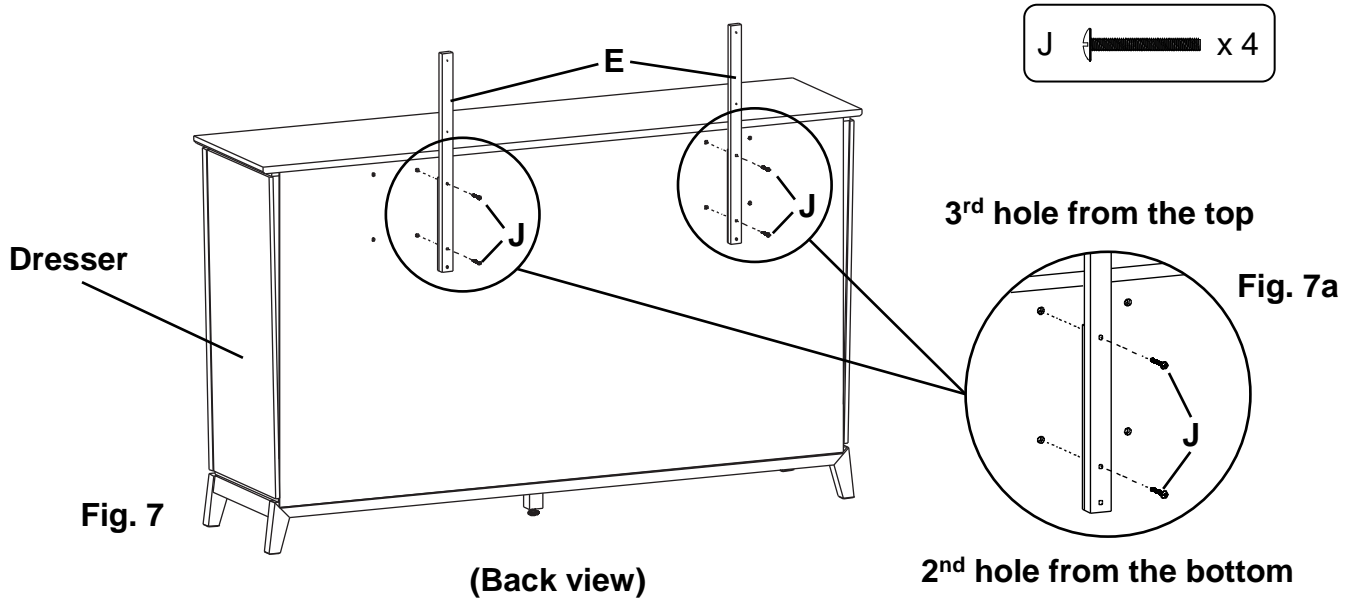
6. To attach the Mirror horizontally to the Dresser, use the predrilled holes in the back as noted in Figure 6.



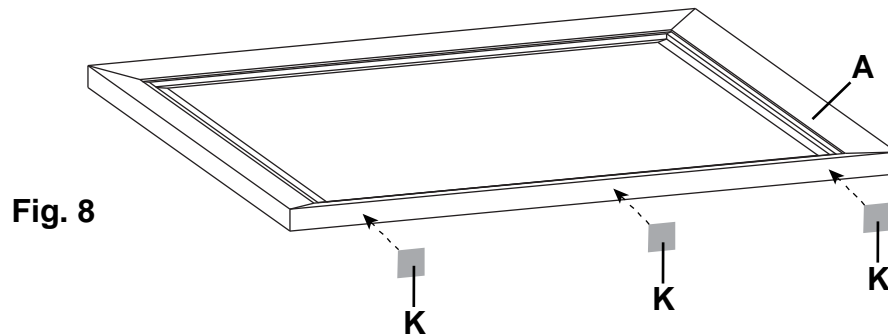
# 1670DUET Addison Beveled Mirror

## Assembly Instructions

7. Using the predrilled holes on the back of the Dresser as guides, attach the two Mirror Supports (E) with four M4 x 41 Machine Screws (J). The upper screws will be inserted into the 3<sup>rd</sup> hole from the top and the lower screws will be inserted into the 2<sup>nd</sup> hole from the bottom of the Mirror Supports. See Figure 7 and 7a.



8. Peel off the backing on the Velvet Pads (K) and apply them to the bottom of the Mirror Assembly (A). See Figure 8.

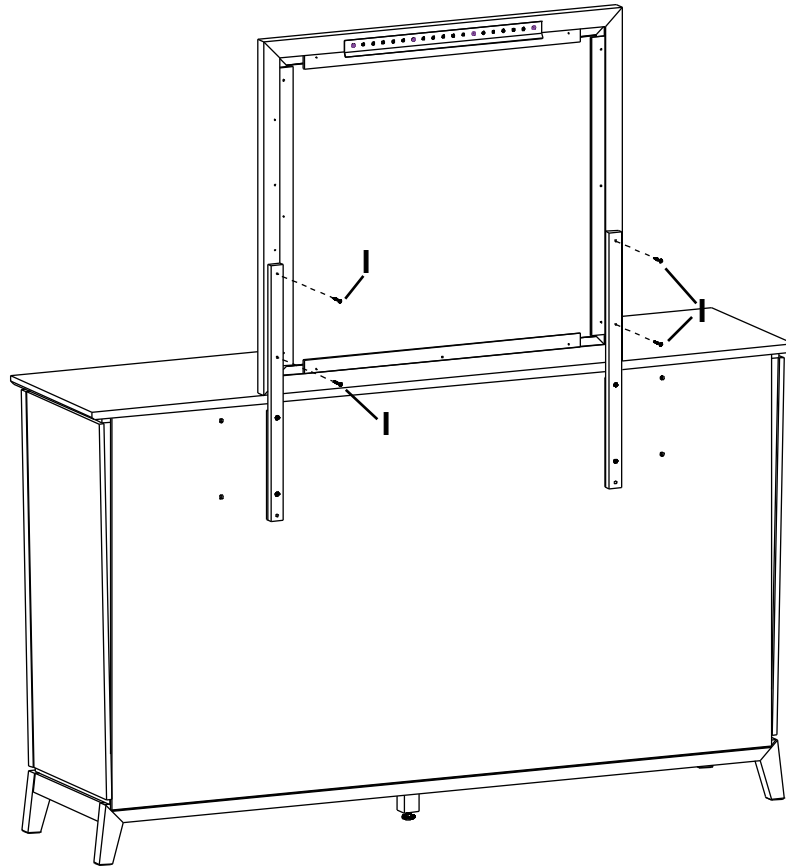
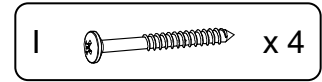


# 1670DUET Addison Beveled Mirror

## Assembly Instructions

---

9. Place the Mirror on top of the Dresser and attach it to the Mirror Supports (E) with four #7 x 1-1/2" Black Pan Head Screws (I). See Figure 9.



**Fig. 9**