

Model #

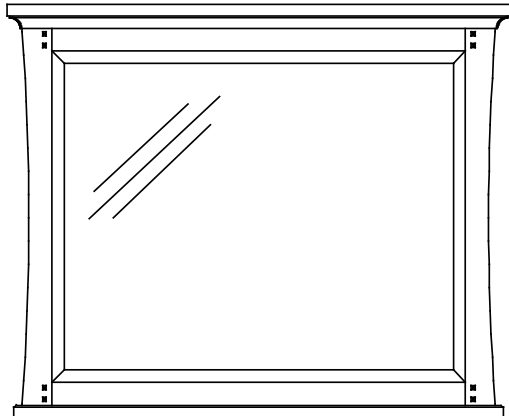
1295LSO 1295DAO

Prairie City Beveled Mirror

LSO = Summer Oak finish

DAO = Autumn Oak finish

Assembly Instructions



Thank you for allowing us to help you furnish your home. We are certain you will be delighted with your new furniture for many years to come.

IMPORTANT NOTES:

- For normal household use only. *Not recommended for commercial use.*



- Handle the mirror with care. Glass is fragile.

WARNING

Drilling, sawing, sanding or machining wood products can expose you to wood dust, a substance known to the state of California to cause cancer. Avoid inhaling wood dust or use a dust mask or other safeguards for personal protection.

For more information go to: www.p65warnings.ca.gov/wood

This product can expose you to chemicals, including formaldehyde, which are known to the State of California to cause cancer.

For more information go to: www.p65warnings.ca.gov/furniture

DESIGN SUBJECT TO CHANGE WITHOUT NOTICE.

CUSTOMER SERVICE

If you ever have questions about your furniture, please do not hesitate to contact us. In the unlikely event you need a replacement part; we can make those parts available through an authorized Whittier Wood Furniture dealer. If you cannot order replacement parts through your dealer, please contact our customer service department.

Hours: Our friendly customer service staff can be reached:

Monday-Friday 8:00 a.m. to 5:00 p.m. (Pacific Time).

You may leave a message 24 hours a day, seven days a week.

Customer Service: 800-653-3336 • **Outside the U.S.:** 541-687-0213

Fax: 541-687-2060 • **Email:** info@whittierwood.com



P.O. Box 2827
Eugene, OR 97402 USA

Production Code:

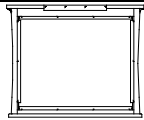
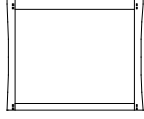
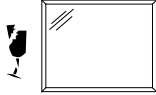


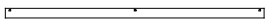

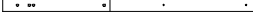


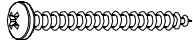






VN

03/17

1295LSO 1295DAO Prairie City Beveled Mirror

Parts List

Please identify the parts and check that quantities received match those on this list.
If you need to replace a part, refer to the following letter and part name.

Part	Description		Quantity
A	Mirror Assembly		1
B	Mirror Frame		1
C	Beveled Mirror (attached)		1
D	Crown Assembly (attached)		1
E	Base (attached)		1
F	Short Mirror Retainer (attached)		2
G	Long Mirror Retainer (attached)		2
H	Mirror Support		2
I	#6 x 3/4" Brass Flat Head Screw (inserted)		4
J	#6 x 1/2" Philtruss Screw (inserted)		16
K	#8 x 1-3/4" Pan Head Screw		2
L	#8 x 1-5/8" Black Screw (inserted)		10
M	#7 x 1-1/2" Black Pan Head Screw		4
N	M4 x 41mm Machine Screw		4
O	Velvet Pad 50 x 50mm		3
P	Mirror Frame Bracket (attached)		1
Q	Mirror Wall Bracket		1

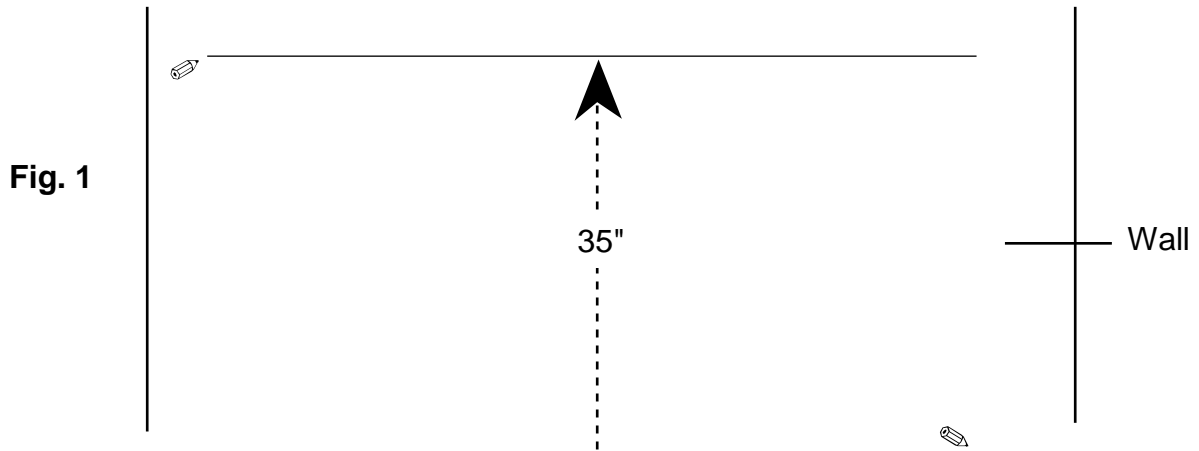
1295LSO 1295DAO Prairie City Beveled Mirror

Assembly Instructions

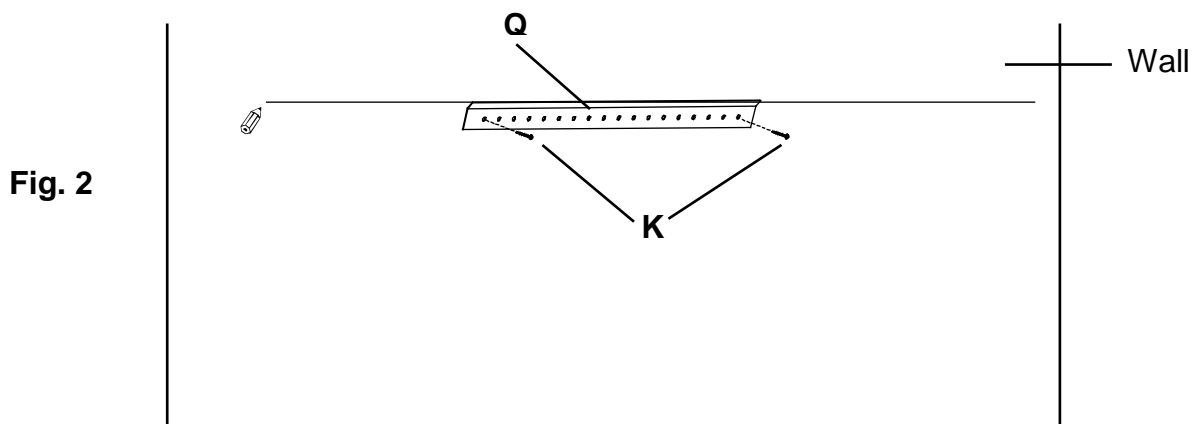
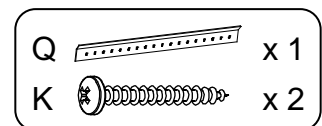
Tools Required: Phillips Screwdriver, Tape Measure, Pencil

You have the option of attaching your Mirror to the wall or to selected Dressers. To attach the Mirror to a wall, follow steps 1-3. To attach the Mirror to a Dresser, follow steps 4-6.

1. Determine where you want the bottom of your mirror to end and draw a faint pencil line on the wall. Using a tape measure, measure up 35" from that line. Draw another faint line. The top line is where you will attach the Mirror Wall Bracket (Q). If you like, you may erase the faint bottom pencil mark. See Figure 1.



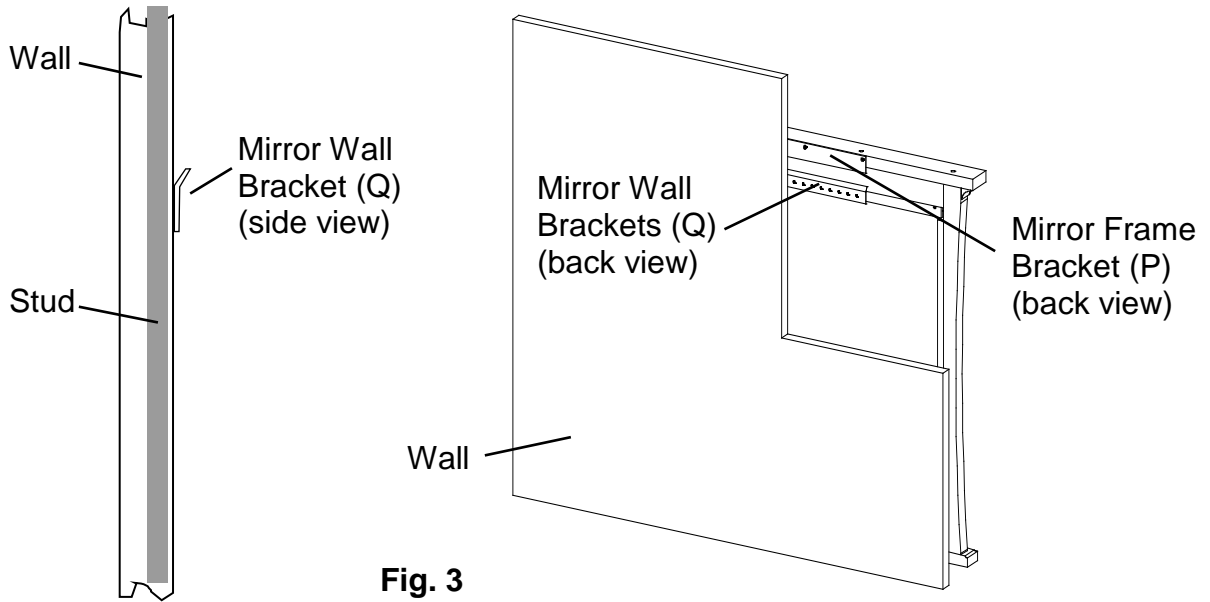
2. Locate two studs in the wall behind the space where you want to hang your Beveled Mirror. Affix the Mirror Wall Bracket (Q) into the studs with two #8 x 1-3/4" Pan Head Screws (K). If you cannot locate two studs, purchase the proper wall attachment hardware for your type of wall and secure the bracket. See Figure 2.



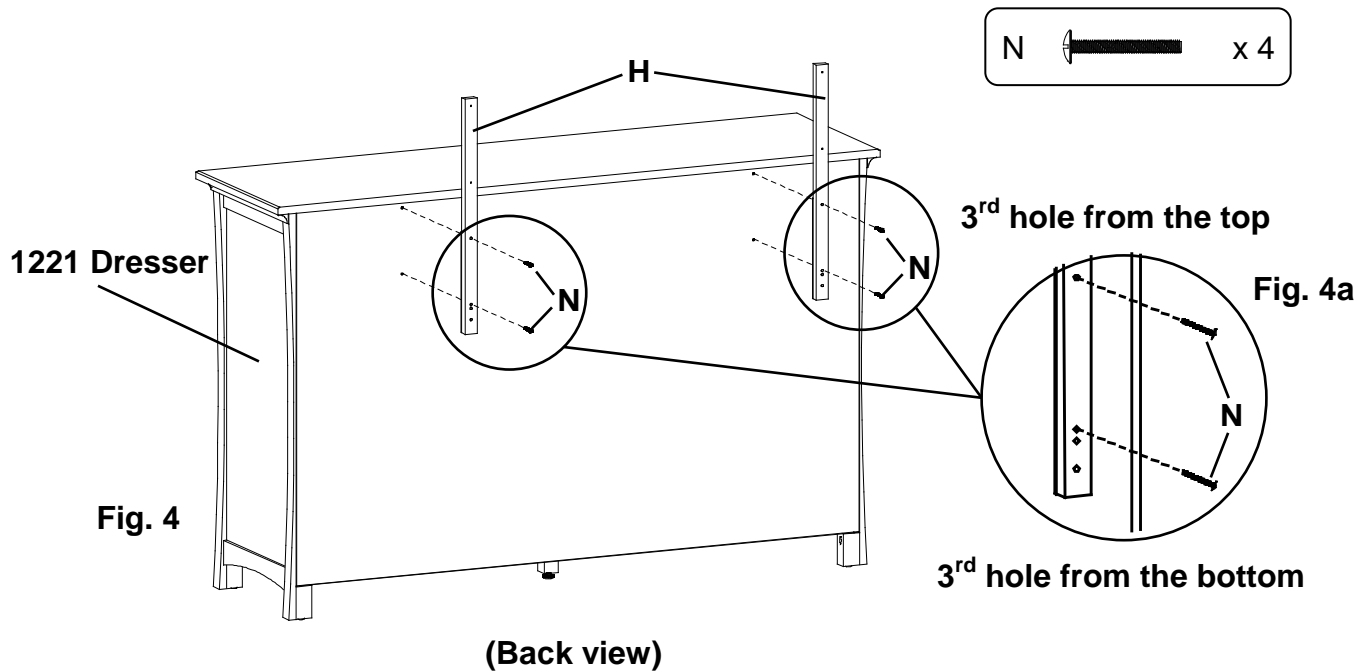
1295LSO 1295DAO Prairie City Beveled Mirror

Assembly Instructions

3. NOTE: The Mirror Wall Bracket (Q) angles out at the top. When you hang your Beveled Mirror, the Mirror Frame Bracket (P) fits over the angled part of the Mirror Wall Bracket (Q). See Figure 3.



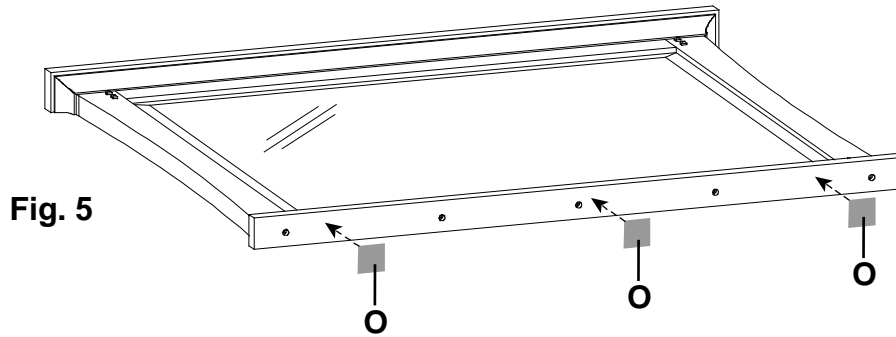
4. Using the predrilled holes on the back of the Dresser as guides, attach the two Mirror Supports (H) with four M4 x 41 Machine Screws (N). The upper screws will be inserted into the 3rd hole from the top and the lower screws will be inserted into the 3rd hole from the bottom of the Mirror Supports. See Figure 4 and 4a.



1295LSO 1295DAO Prairie City Beveled Mirror

Assembly Instructions

5. Peel off the backing on the Velvet Pads (O) and apply them to the bottom of the Mirror Assembly (A). See Figure 5.



6. Place the Mirror on top of the Dresser and attach it to the Mirror Supports (H) with four #7 x 1-1/2" Black Pan Head Screws (M). See Figure 6.

