

# Prairie City Mantel Beds

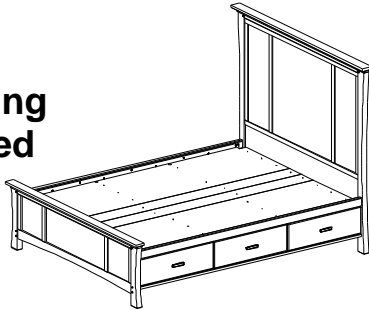
AFLSO = Summer Oak finish

AFDAO = Autumn Oak finish

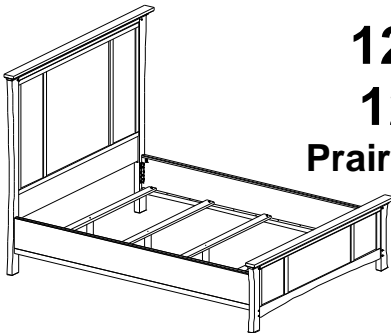
Assembly Instructions

Model #

**1263AFLSO;**  
**1263AFDAO**  
**Prairie City Cal-King**  
**Mantel Storage Bed**



**1282AFLSO;**  
**1282AFDAO**  
**Prairie City Cal-King**  
**Mantel Bed**



## Congratulations!

*This fine piece of furniture will make a gorgeous addition to your home. For the best results, read the Assembly Instructions before you begin your project.*

## IMPORTANT NOTES:


- For normal household use only. *Not* recommended to use this unit in a commercial setting.
- Remove items before you move this unit.
- Do not overload the drawers.
- Before you load or move this unit, tighten all screws and supports.
- Before you begin your project, completely read the Assembly Instructions.
- Store this item: 1- in its box; 2- in a dry place; 3- in temperatures that range from 40°F to 90°F (not on a cold and possibly damp cement floor).
- Periodically inspect your furniture for any loose glue joints, screws or any other problem that might affect the stability of your furniture. Tighten or repair as needed.
- This assembly requires two people.

## WARNING

### Notice to California Customers

California Prop 65 requires consumer goods to be labeled if any one of 850+ different chemicals or substances, including wood dust, is present even in trace amounts. Drilling, sawing, sanding or machining wood products generates wood dust, a substance known to the State of California to cause cancer. **Warning:** This product contains a chemical or substance known to the State of California to cause cancer, birth defects or other reproductive harm. *California Health and Safety Code Section 25249.6*

**DESIGN SUBJECT TO CHANGE WITHOUT NOTICE.**

 **CALL US FIRST!** *Do not return this item to the store*

**Service Policy:** We will replace any part that is defective, missing or damaged during assembly. For a replacement part, directly contact Whittier Wood Products customer service department by phone, fax, mail or email.

**Hours:** Our friendly customer service staff can be reached Monday-Friday 7:00 a.m. to 5:00 p.m. (Pacific Time). You may leave a message 24 hours a day, seven days a week.

**To Order:** Provide the finish and furniture model number (upper portion of this page), the part letter, production code, quantity needed, reason for replacement and your full name, address and telephone number.

*Parts ship from our Eugene, Oregon factory within one or two business days from the time we receive your request. Please allow five to ten business days for delivery.*

800-653-3336 • Outside the U.S. or Canada: 541-687-0213 • Fax: 541-687-2060  
www.whittierwood.com • P.O. Box 2827 • Eugene, Oregon 97402, U.S.A.

**Whittier**  
**Wood**  
**FURNITURE**

P.O. Box 2827  
Eugene, OR 97402 USA

Production Code:

VN

12/13

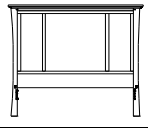

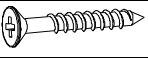

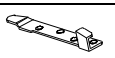
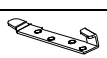
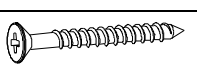
**1263AFLSO; 1263AFDAO Prairie City Cal-King Mantel Storage Bed;  
1282AFLSO; 1282AFDAO Prairie City Cal-King Mantel Bed**

*Parts List*

**Please note this Assembly Instruction is for Prairie City Cal-King Mantel Storage Bed (#1263) and Prairie City Cal-King Mantel Rail Bed (#1282). The Parts Lists for each component follow.**

Please identify the parts and check that the quantities received match those on this list. If you need to replace a part, refer to the model number, part letter and name.


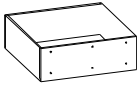
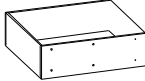

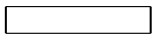

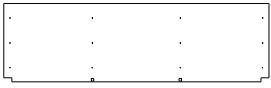




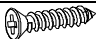

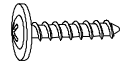









**1266AFLSO; 1266AFDAO  
Cal-King Headboard/Footboard Kit (x1)**

Part	Description	Quantity
A	Headboard Assembly 	1
B	Footboard Assembly 	1
U	#8 x 1" Black Screw (inserted) 	16
ZN	#8 x 2" Black Screw (inserted) 	4
ZO	Left Bed Bracket (attached) 	2
ZP	Right Bed Bracket (attached) 	2
ZV	#8 x 1-5/8" Black Screw (inserted) 	8

**1263AFLSO; 1263AFDAO Prairie City Cal-King Mantel Storage Bed;  
1282AFLSO; 1282AFDAO Prairie City Cal-King Mantel Bed**


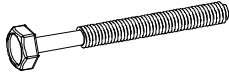


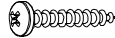


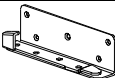
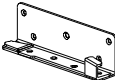
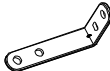
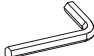
*Parts List*

**1264AFLSOa; 1264AFDAOa Pedestal Kit (x2)**

<b>Part</b>	<b>Description</b>	<b>Quantity</b>
Ea	Pedestal 	1
F	Small Drawer Box (assembled) 	2
Ga	Large Drawer Box (assembled) 	1
H	Drawer Face (attached) 	3
I	Cal-King Trestle (23-1/4") 	2
J	Left/Right Center Deckboard 	1
K	Notched Deckboard (attached) 	1
L	Assembled Foot 	3
M	Long Angle Iron (attached) 	1
N	Drawer Slides (pre-installed sets) 	3
O	#6 x 3/4" Philtruss Screw (inserted) 	18
P	#6 x 3/4" Flat Head Screw (inserted) 	10
Q	#6 x 1/2" Philtruss Screw 	22 (18 inserted)
Ra	#8 x 7/8" Black Lo-Profile Screw (inserted) 	18
S	#8 x 1-1/4" Black Screw 	56 (48 inserted)
Ta	#8 x 1-1/2" Machine Screw Tuscan (installed) 	6
U	#8 x 1" Black Screw (inserted) 	9
V	Arched Washer (inserted) 	4
W	1/4" Flat Washer 	10 (4 inserted)
X	1/4" Lock Washer (inserted) 	4
Y	1/4" x 20mm Insert Nut (inserted) 	8
ZA	1/4" Hex Nut (inserted) 	4
ZB	1/4" T-Nut (inserted) 	2

**1263AFLSO; 1263AFDAO Prairie City Cal-King Mantel Storage Bed;  
1282AFLSO; 1282AFDAO Prairie City Cal-King Mantel Bed**

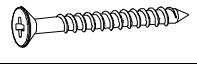
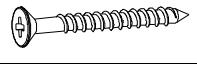
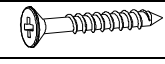

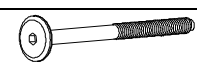
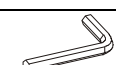
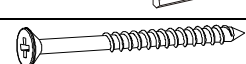
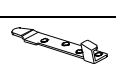
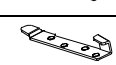
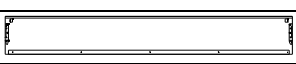
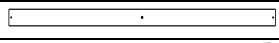
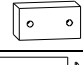

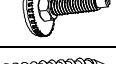
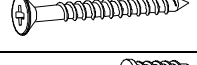
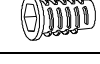

*Parts List*

<b>Part</b>	<b>Description</b>		<b>Quantity</b>
ZC	1/4" x 80mm Hex Bolt		1
ZD	1/4" x 2-1/2" Hex Bolt (inserted)		4
ZE	1/4" x 1-3/4" Hex Bolt		6
ZF	Pull (attached)		3
ZG	#8 x 20mm Pan Head Screw (inserted)		12
ZH	Foot Bracket (attached)		3
ZI	Adjustable Glide (installed)		3
ZJ	Left Pedestal Angle Bracket (inserted)		1
ZK	Right Pedestal Angle Bracket (inserted)		1
ZL	90° Bracket		1
ZM	Hex Wrench		1

**1263AFLSO; 1263AFDAO Prairie City Cal-King Mantel Storage Bed;  
1282AFLSO; 1282AFDAO Prairie City Cal-King Mantel Bed**

*Parts List*

**1283AFLSO; 1283AFDAO Cal-King Rail Kit (x1)**

<b>Part</b>	<b>Description</b>		<b>Quantity</b>
S	#8 x 1-1/4" Black Screw		10
U	#8 x 1" Black Screw (inserted)		16
ZB	1/4" T-Nut (inserted)		9
ZC	1/4" x 80mm Hex Bolt		2
ZM	Hex Wrench		1
ZN	#8 x 2" Black Screw (inserted)		22
ZO	Left Bed Bracket (attached)		2
ZP	Right Bed Bracket (attached)		2
ZQ	Side Rail		2
ZR	Slat		5
ZS	Slat Support		2
ZT	Assembled Foot		4
ZU	Adjustable Glide with Hex Nut (installed)		4
ZV	#8 x 1-5/8" Black Screw		4
ZW	5/16" x 3/4" Insert Nut (inserted)		4
ZX	1/4" x 45mm Hanger Bolt (inserted)		4

**1263AFLSO; 1263AFDAO Prairie City Cal-King Mantel Storage Bed;  
1282AFLSO; 1282AFDAO Prairie City Cal-King Mantel Bed**

*Assembly Instructions*

This assembly requires two people.

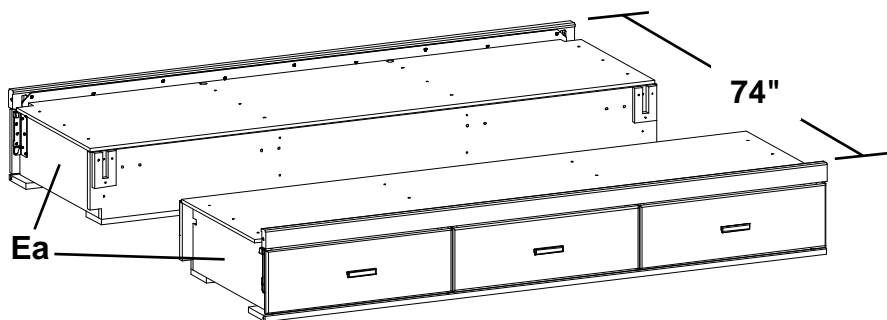
**Tools Required:** 4mm Hex Wrench (provided), Phillips screwdriver, Slotted screwdriver, 1/2" & 7/16" open end or box end wrench and Tape measure

**Notes:**

Steps 1 through 10 are for the Prairie City Cal-King Mantel Storage Bed (#1263).

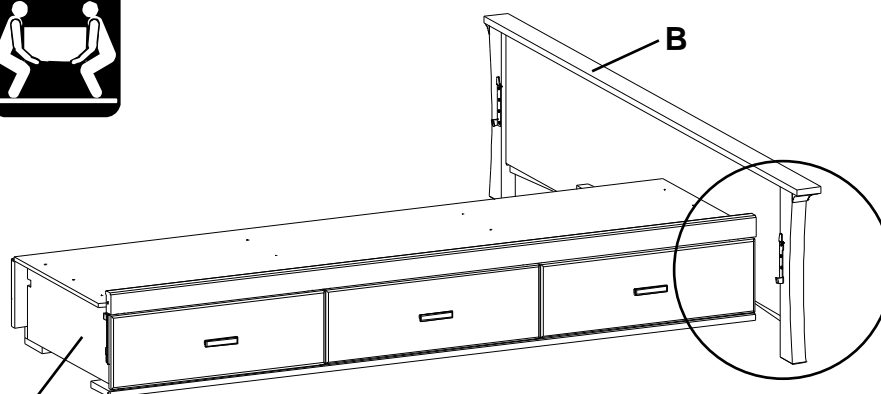
Steps 11 through 18 are for the Prairie City Cal-King Mantel Bed (#1282).

1. Place both Pedestals (Ea) approximately 74" apart as shown in Figure 1.



**Fig. 1**

2. To attach the Footboard (B) to the Pedestal (Ea), align the Brackets and slide the Pedestal down on to the Footboard (B). See Figures 2 and 2a.



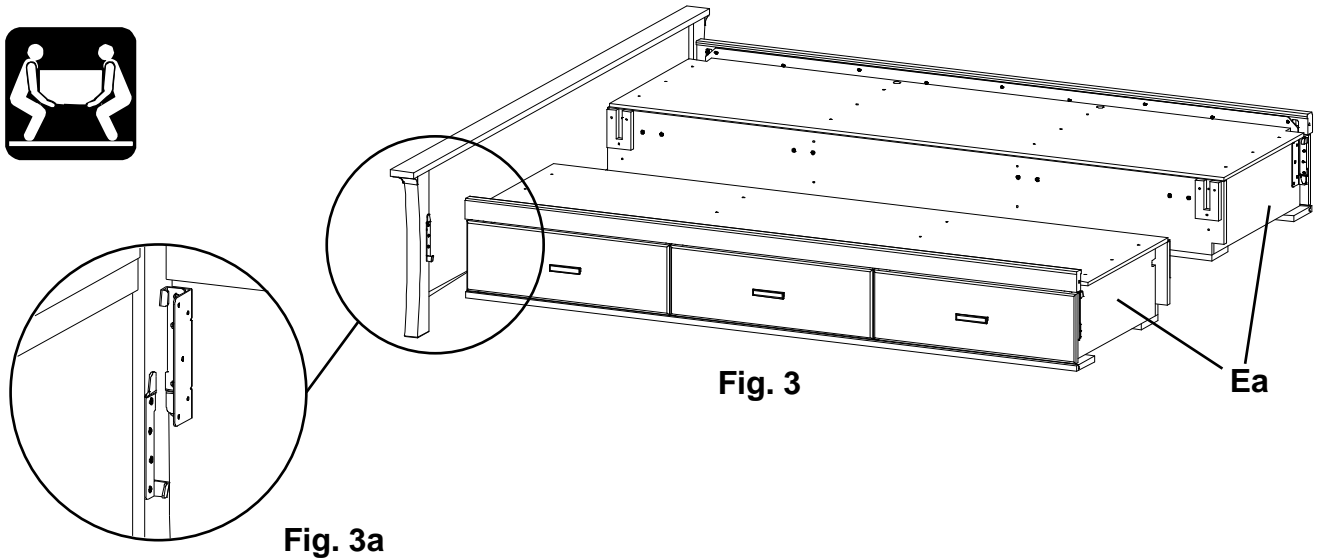
**Fig. 2a**

**Fig. 2**

**1263AFLSO; 1263AFDAO Prairie City Cal-King Mantel Storage Bed;  
1282AFLSO; 1282AFDAO Prairie City Cal-King Mantel Bed**

*Assembly Instructions*  
This assembly requires two people.

3. Repeat step two for the other side. See Figures 3 and 3a.

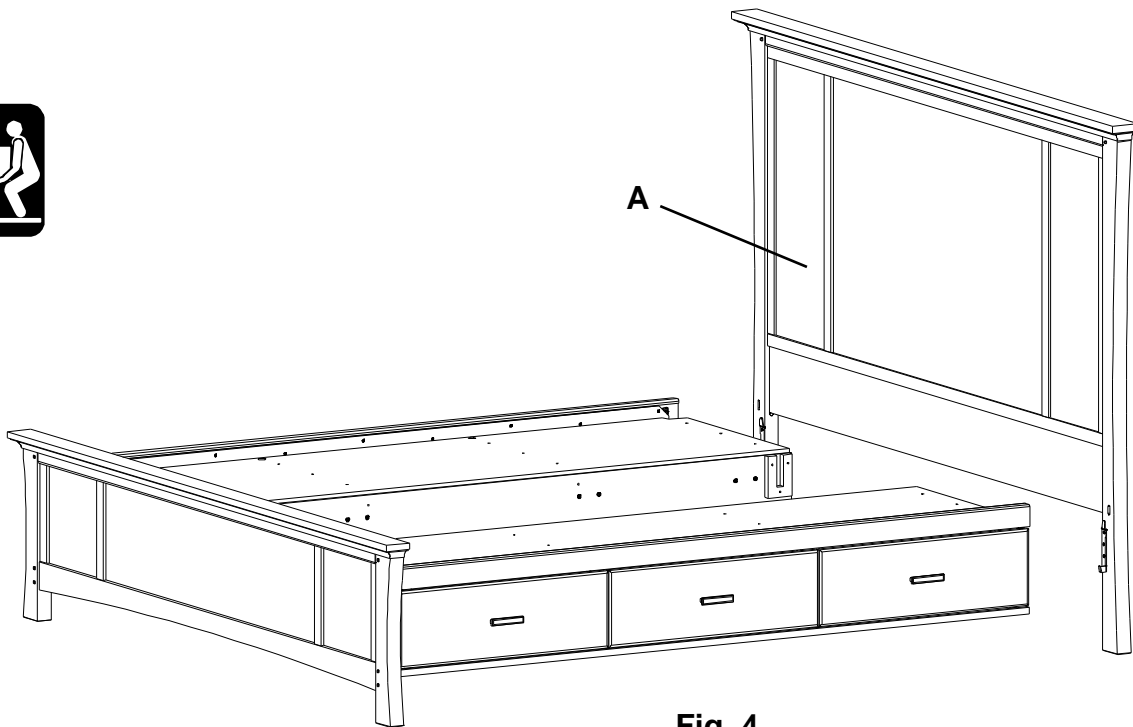


**Fig. 3**

**Ea**

**Fig. 3a**

4. Align the Brackets on both sides and slide the Pedestal/Footboard assembly down on to the Headboard (A). See Figure 4.



**Fig. 4**

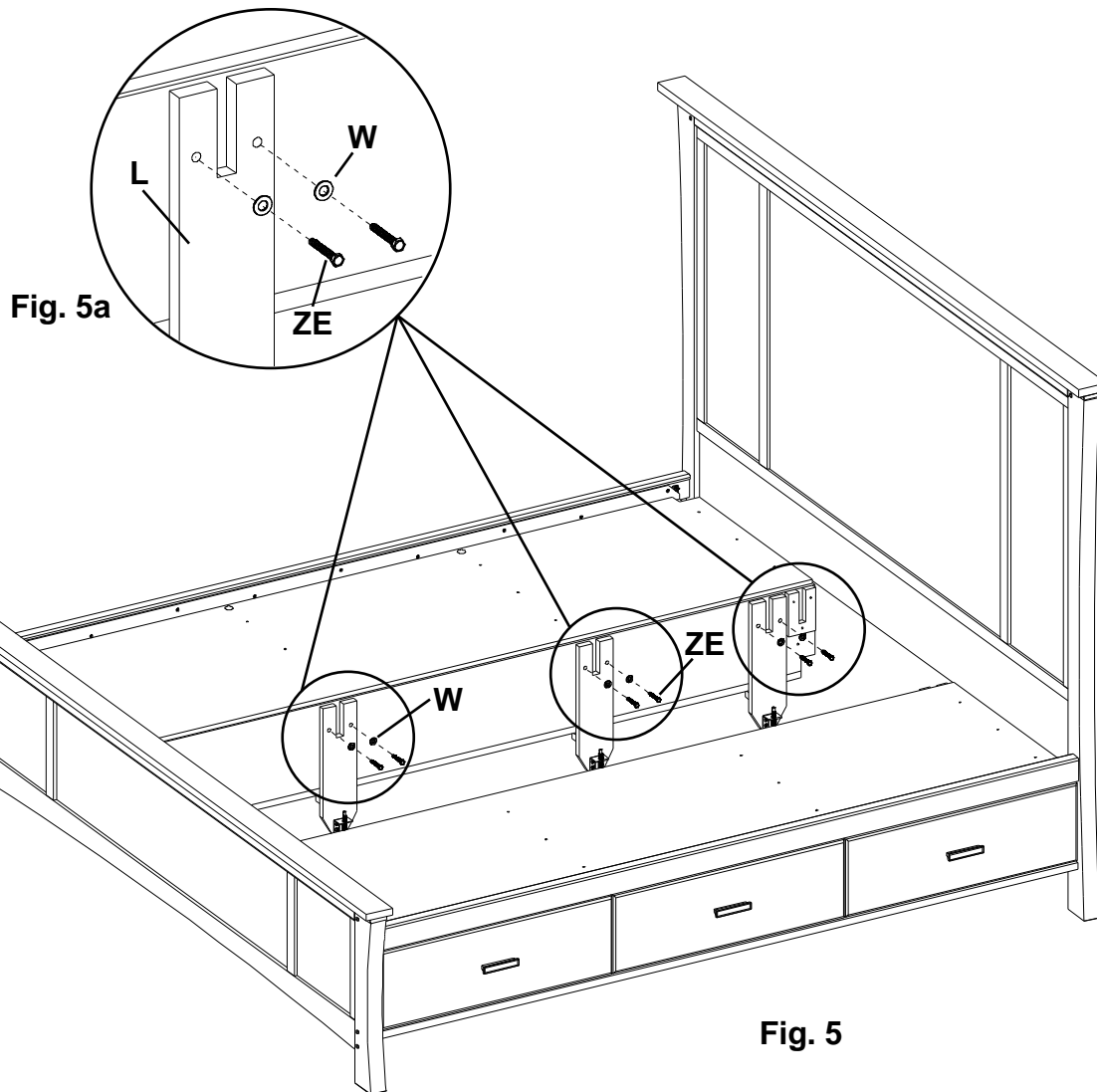
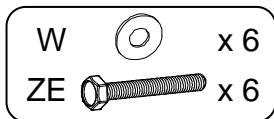
**1263AFLSO; 1263AFDAO Prairie City Cal-King Mantel Storage Bed;  
1282AFLSO; 1282AFDAO Prairie City Cal-King Mantel Bed**

*Assembly Instructions*

This assembly requires two people.

5. **NOTE: There are blocks mounted on the back side of the Footboard to support the end of the pedestal eliminating the need for an Assembled Foot in this position where it would be easily visible. Do not attach an Assembled Foot in the position near the footboard.**

Align three Assembled Feet (L) over the insert nuts that are on the back of the Pedestal. Make sure the Adjustable Glides are on the outside face of the Pedestal. See Figures 5 and 5a. Attach to the Pedestal with 1/4" x 1-3/4" Hex Bolts (ZE) and 1/4" Flat Washers (W).



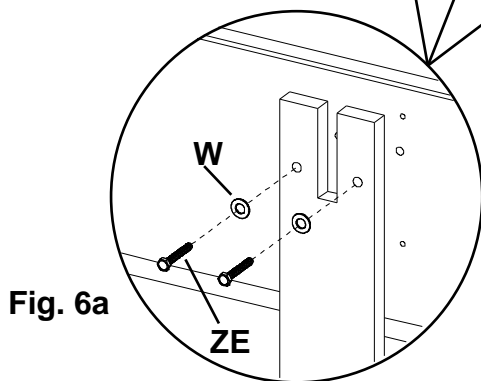
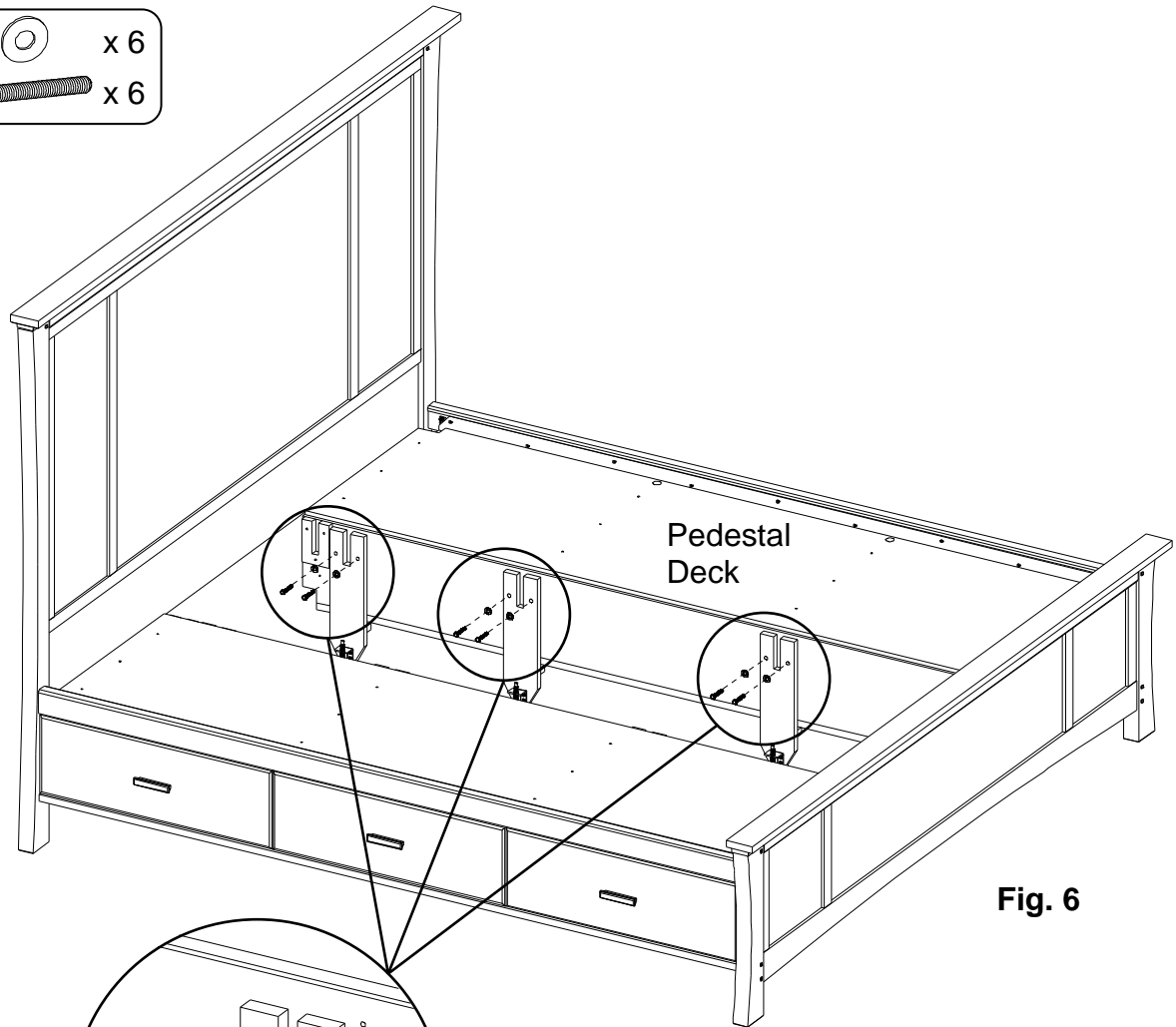
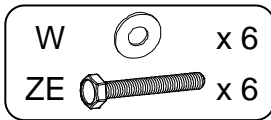


**1263AFLSO; 1263AFDAO Prairie City Cal-King Mantel Storage Bed;  
1282AFLSO; 1282AFDAO Prairie City Cal-King Mantel Bed**

*Assembly Instructions*

This assembly requires two people.

6. Repeat by attaching three additional Assembled Feet (L) to the other Pedestal with 1/4" x 1-3/4" Hex Bolts (ZE) and 1/4" Flat Washers (W). See Figures 6 and 6a. Using a 1/2" wrench or Slotted screwdriver adjust the Adjustable Glides (ZI) on the bottoms of the Assembled Feet (L) so that the top surfaces of both Pedestal decks are 16" from the floor.

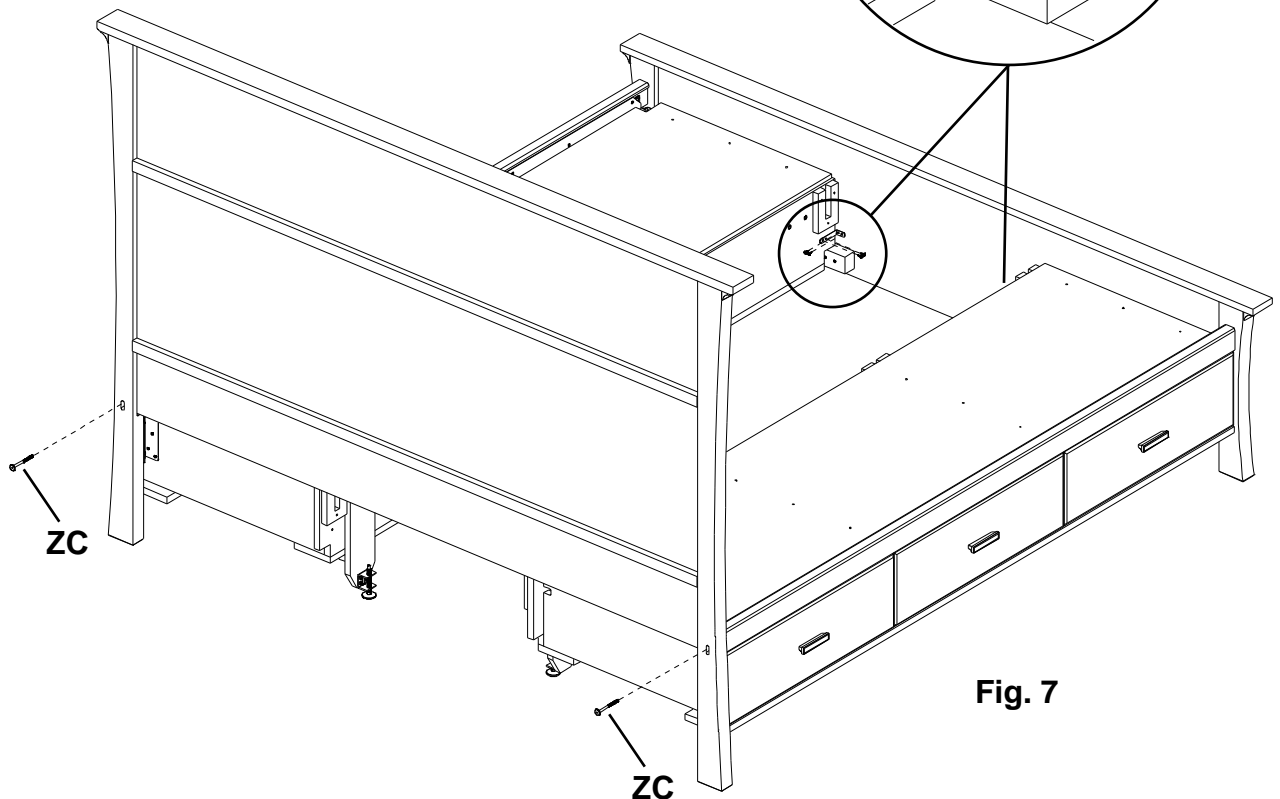
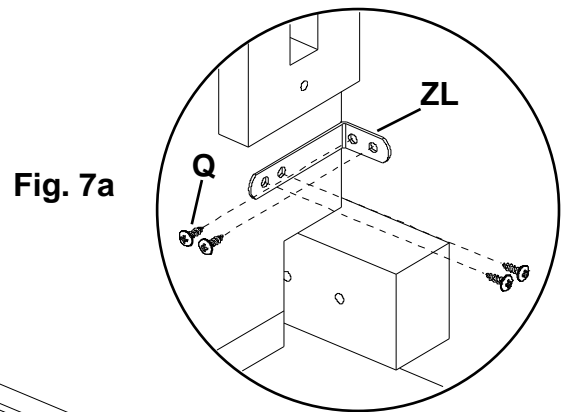
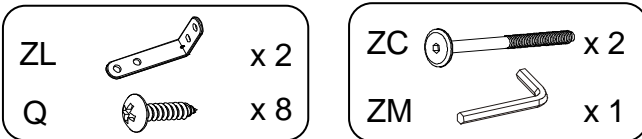


**1263AFLSO; 1263AFDAO Prairie City Cal-King Mantel Storage Bed;  
1282AFLSO; 1282AFDAO Prairie City Cal-King Mantel Bed**

*Assembly Instructions*

This assembly requires two people.

7. Facing the Footboard, attach the Pedestal Assembly to the Footboard with a 90° Bracket (ZL) and four #6 x 1/2" Philtruss Screws (Q). Repeat for the other side. See Figures 7 and 7a. Using the Hex Wrench (ZM), attach the Headboard to the Pedestals with two 1/4" x 80mm Hex Bolts (ZC). See Figure 7.



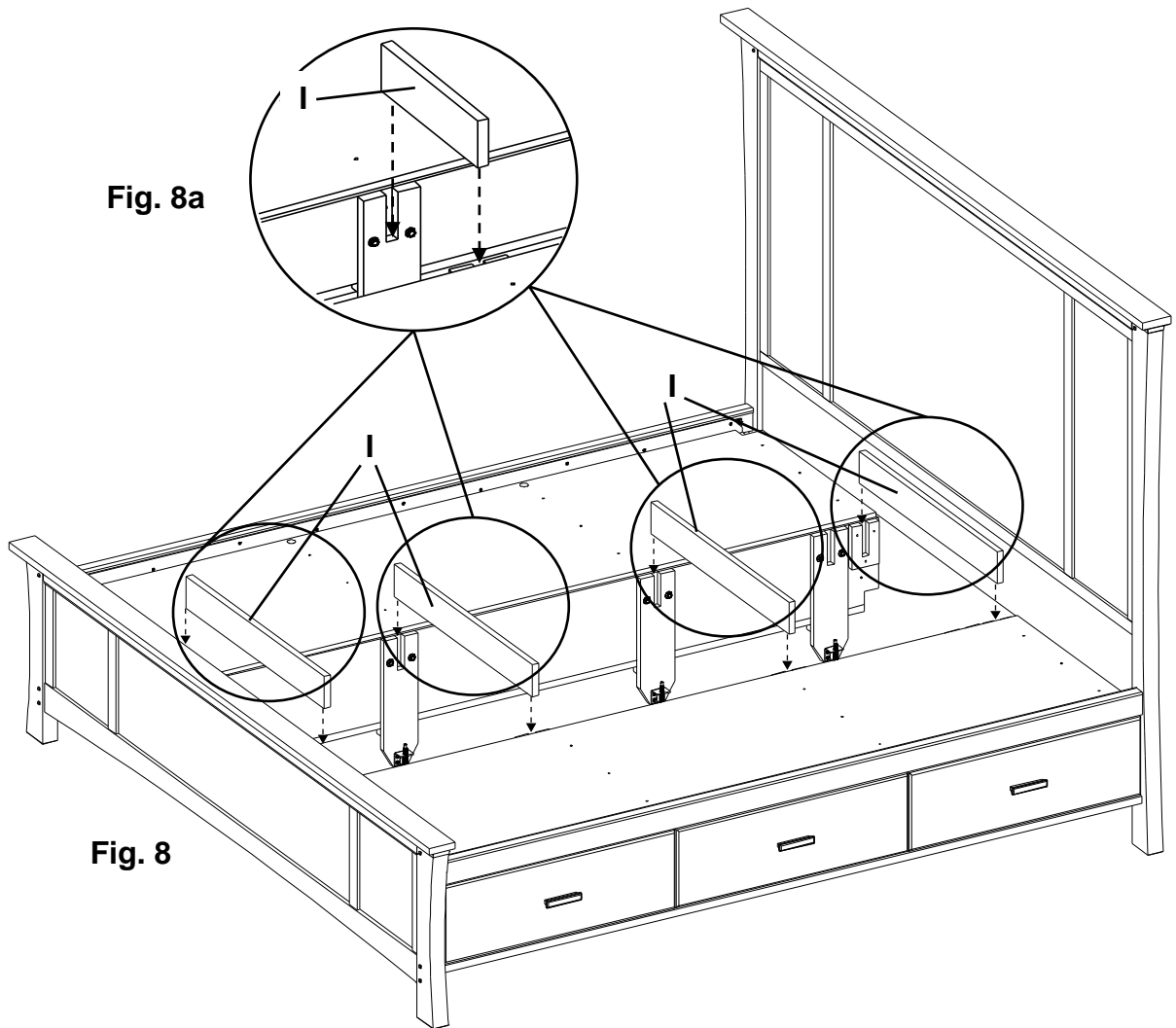
**1263AFLSO; 1263AFDAO Prairie City Cal-King Mantel Storage Bed;  
1282AFLSO; 1282AFDAO Prairie City Cal-King Mantel Bed**

*Assembly Instructions*

This assembly requires two people.

8. Move the bed assembly to its final position; if necessary readjust the glides at the bottom of the Assembled Feet so that all are touching the floor and support weight. Place the four Cal-King Trestles (I) into the bed assembly as shown in Figures 8 and 8a.

**IMPORTANT:** the center two trestles nest into the notches at the top of the Assembled Feet, the trestles at each end must nest into the notches in the cleats which are attached closer to the ends of the Pedestals.

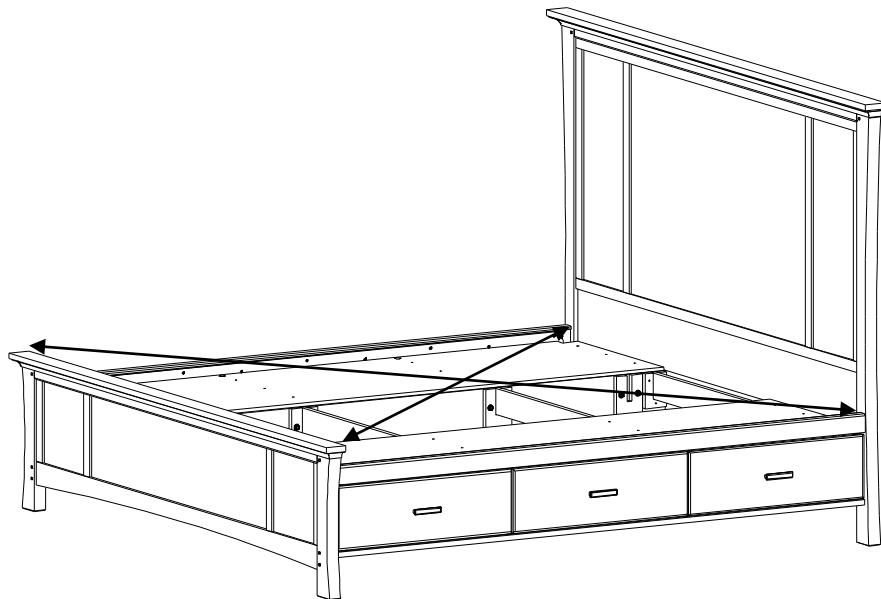


**1263AFLSO; 1263AFDAO Prairie City Cal-King Mantel Storage Bed;  
1282AFLSO; 1282AFDAO Prairie City Cal-King Mantel Bed**

*Assembly Instructions*

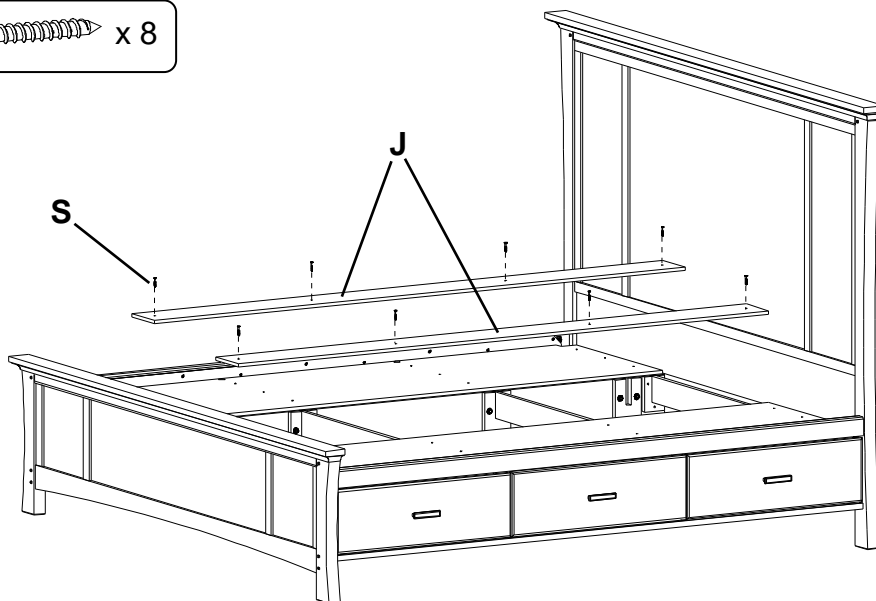
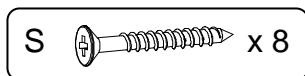
This assembly requires two people.

9. To make sure the bed is square, measure the distance between opposing corners. If one of the measurements is larger, tap on a footboard leg until the measurement is equal. See Figure 9.



**Fig. 9**

10. Place the Left/Right Center Deckboards (J) as shown in Figure 10 and secure with eight #8x1-1/4" Black Screws (S). There should be a small gap between each deckboard.



**Fig. 10**

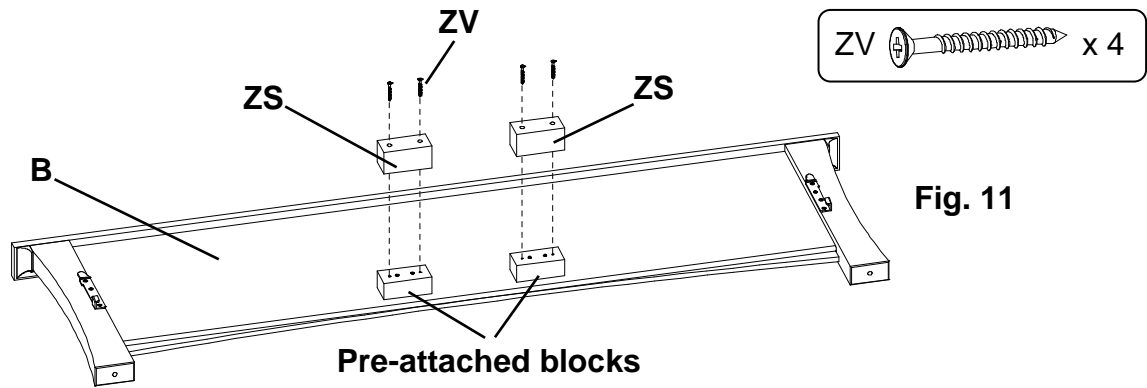
**This concludes the assembly process for Prairie City Storage Bed, if you have purchased a Prairie City Rail Bed please refer to the instructions beginning on page 13.**

# 1263AFLSO; 1263AFDAO Prairie City Cal-King Mantel Storage Bed; 1282AFLSO; 1282AFDAO Prairie City Cal-King Mantel Bed

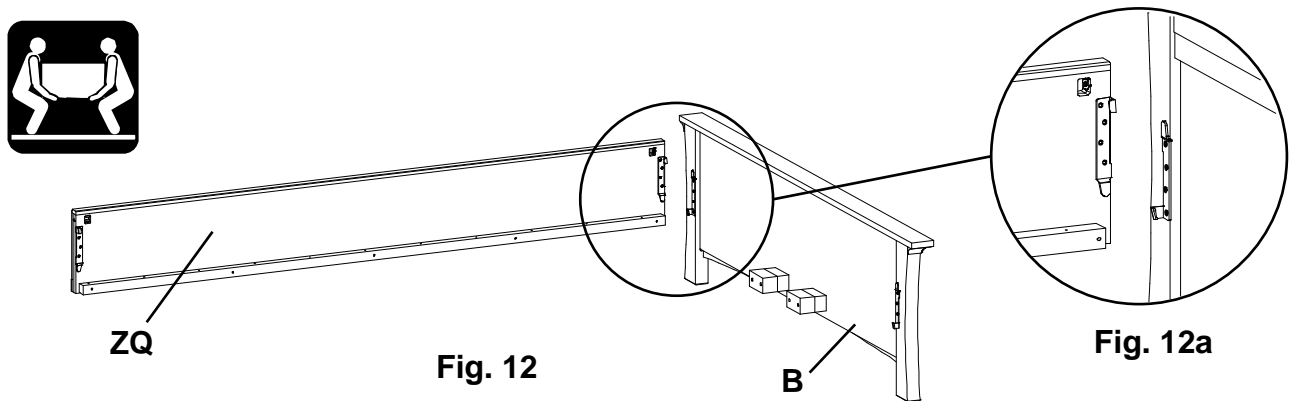
## Assembly Instructions

This assembly requires two people.

11. Position the two Slat Support (ZS) over the blocks that are mounted onto back side of the Footboard (B) and attach with four #8 x 1-5/8" Black Screws (ZV) through the predrilled holes in the slat supports and into the location punches on the blocks. See Figure 11.



12. To attach the Footboard (B) to the Side Rail (ZQ), align the Brackets and slide the Side Rail down on to the Footboard (B). See Figures 12 and 12a.

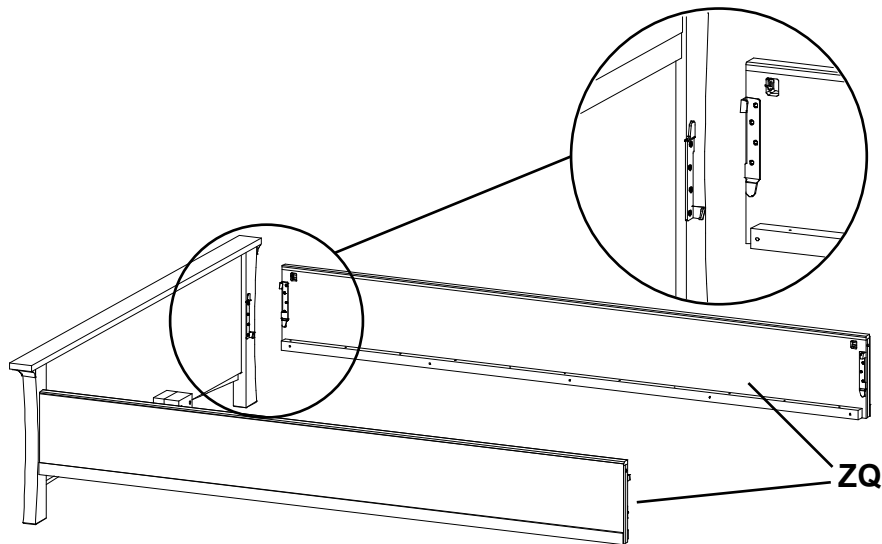


**1263AFLSO; 1263AFDAO Prairie City Cal-King Mantel Storage Bed;  
1282AFLSO; 1282AFDAO Prairie City Cal-King Mantel Bed**

*Assembly Instructions*

This assembly requires two people.

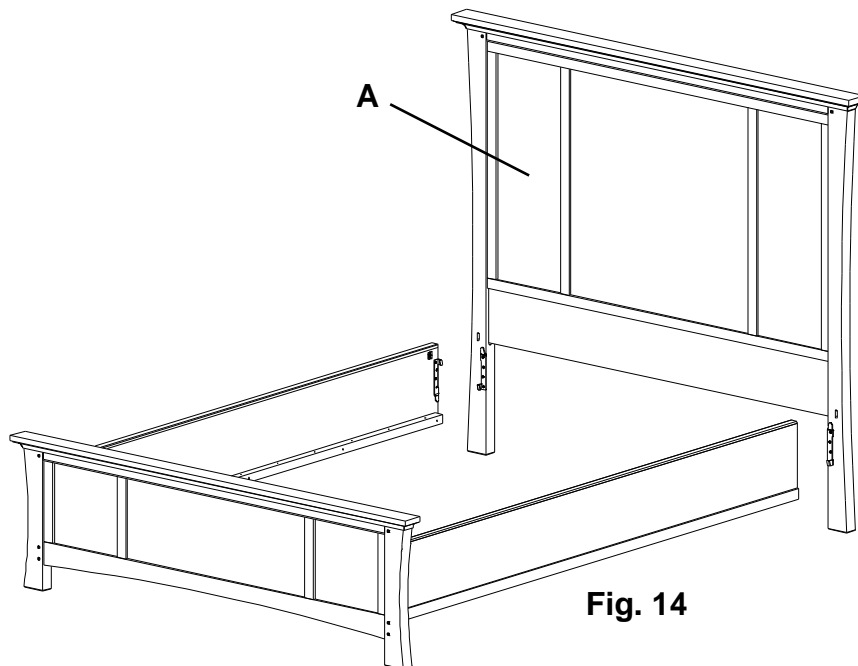
13. Repeat step twelve for the other side. See Figures 13 and 13a.



**Fig. 13a**

**Fig. 13**

14. Align the Brackets on both sides and slide the Side Rail/Footboard assembly down on to the Headboard (A). See Figure 14.



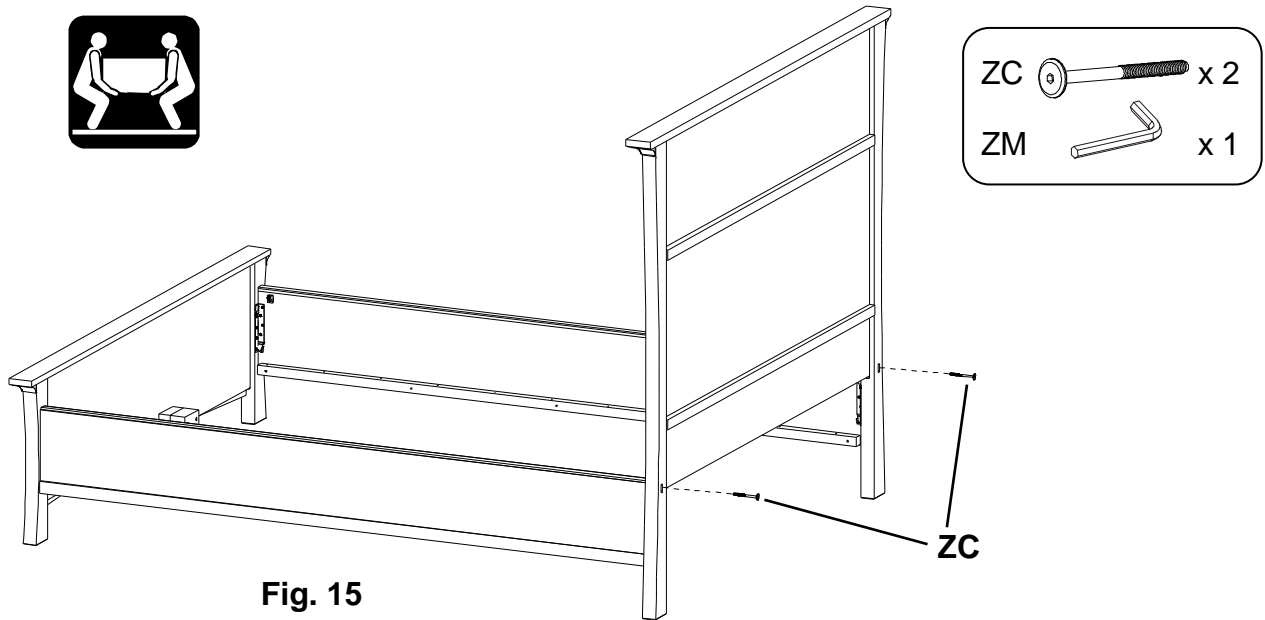
**Fig. 14**

**1263AFLSO; 1263AFDAO Prairie City Cal-King Mantel Storage Bed;  
1282AFLSO; 1282AFDAO Prairie City Cal-King Mantel Bed**

*Assembly Instructions*

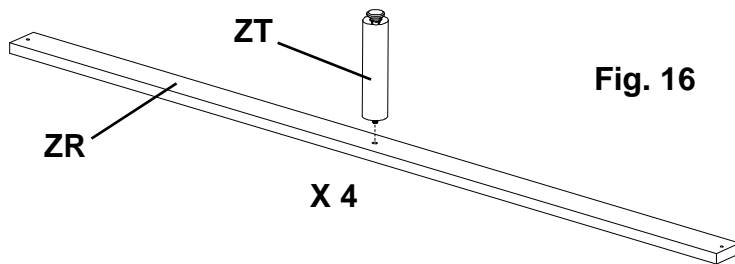
This assembly requires two people.

15. Using the Hex Wrench (ZM), attach the Headboard to the Side Rails with two 1/4" x 80mm Hex Bolts (ZC). See Figure 15.



**Fig. 15**

16. Attach an Assembled Foot (ZT) to four of the five Slats (ZR) as shown in Figure 16.



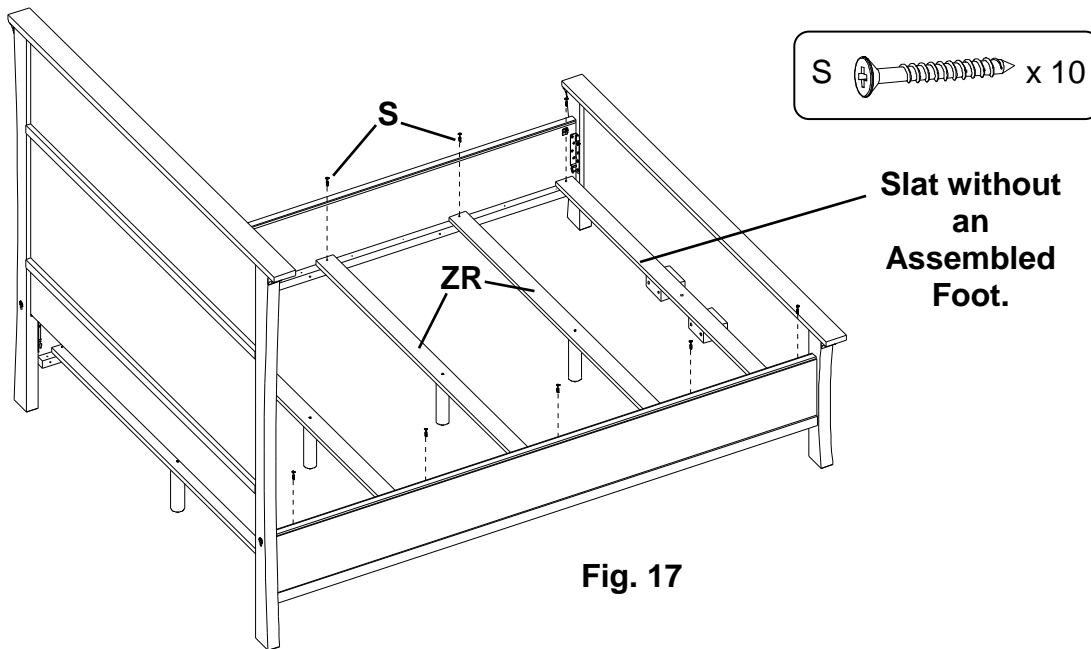
**Fig. 16**

**1263AFLSO; 1263AFDAO Prairie City Cal-King Mantel Storage Bed;  
1282AFLSO; 1282AFDAO Prairie City Cal-King Mantel Bed**

*Assembly Instructions*

This assembly requires two people.

17. Move the bed assembly to its final position. Position the Slats (ZR) on the bottom edges of the rails and place the slat without the Assembled Foot nearest to the Footboard. Attach with #8 x 1-1/4" Black Screws (S). See Figure 17.



18. Adjust the Adjustable Glides with Hex Nut (ZU) on the Assembled Feet (ZT) so the Glides just touch the floor, making sure the Assembled Feet bear weight.

